

MONSTER TRUCK™

Radio Controlled Truck



Thank you for purchasing
the Dromida Monster Truck!

CARE AND MAINTENANCE

- Before each run, examine all parts for damage. If any is found, do not operate until the damage has been repaired.
- Use a clean cloth to wipe the vehicle clean.
- Keep the vehicle and batteries away from direct sunlight and/or heat sources.
- Visit dromida.com for repair guides and replacement parts.

SAFETY PRECAUTIONS

Warning: Do not modify or alter this model. Changes or modifications to this model not expressly approved by the party responsible for compliance could void the user's authority to operate the equipment.

- The vehicle is suitable for ages 14 and above. Parents should supervise children who operate the vehicle.
- This vehicle is suitable for indoor or outdoor use.
- Switch off the vehicle and disconnect the battery when not in use.
- Dromida's all-weather electronics allow you to operate your vehicle in various conditions, including rain, snow, mud and more. DO NOT submerge your Dromida Vehicle!
- Keep hands, face and loose clothing away from the vehicle.
- Always follow these instructions when operating this vehicle.
- Do not operate near people or animals.
- Always unplug battery from charger after charging is complete.

BATTERY CAUTIONS

- Parental guidance is recommended when installing or replacing batteries.
- Insert new batteries in the radio as soon as any function becomes diminished.
- Never use LiPo batteries with your stock Dromida RE 18 2N1 ESC/RX unit. In order to use LiPo batteries in your Dromida vehicle you must first upgrade to the Dromida Brushless Speed Kit V2 (DIDC1152).

The vehicle is equipped with a NiMH battery. Always follow these safety instructions:

- Never dispose of batteries in a fire or store near sources of heat. Batteries must be discharged before being recycled. Cover exposed poles with adhesive tape to prevent short-circuiting!
- Batteries should only be charged on a fireproof surface, away from any flammable materials.
- Never leave the battery unattended when charging.
- Never disassemble or alter the battery contacts. Do not damage or puncture battery cells. Doing so would result in an explosion hazard!
- Keep the NiMH battery away from children.



This product contains a NiMH battery. Must be recycled or disposed of properly.

WARNING: This product contains a chemical known to the State of California to cause cancer.

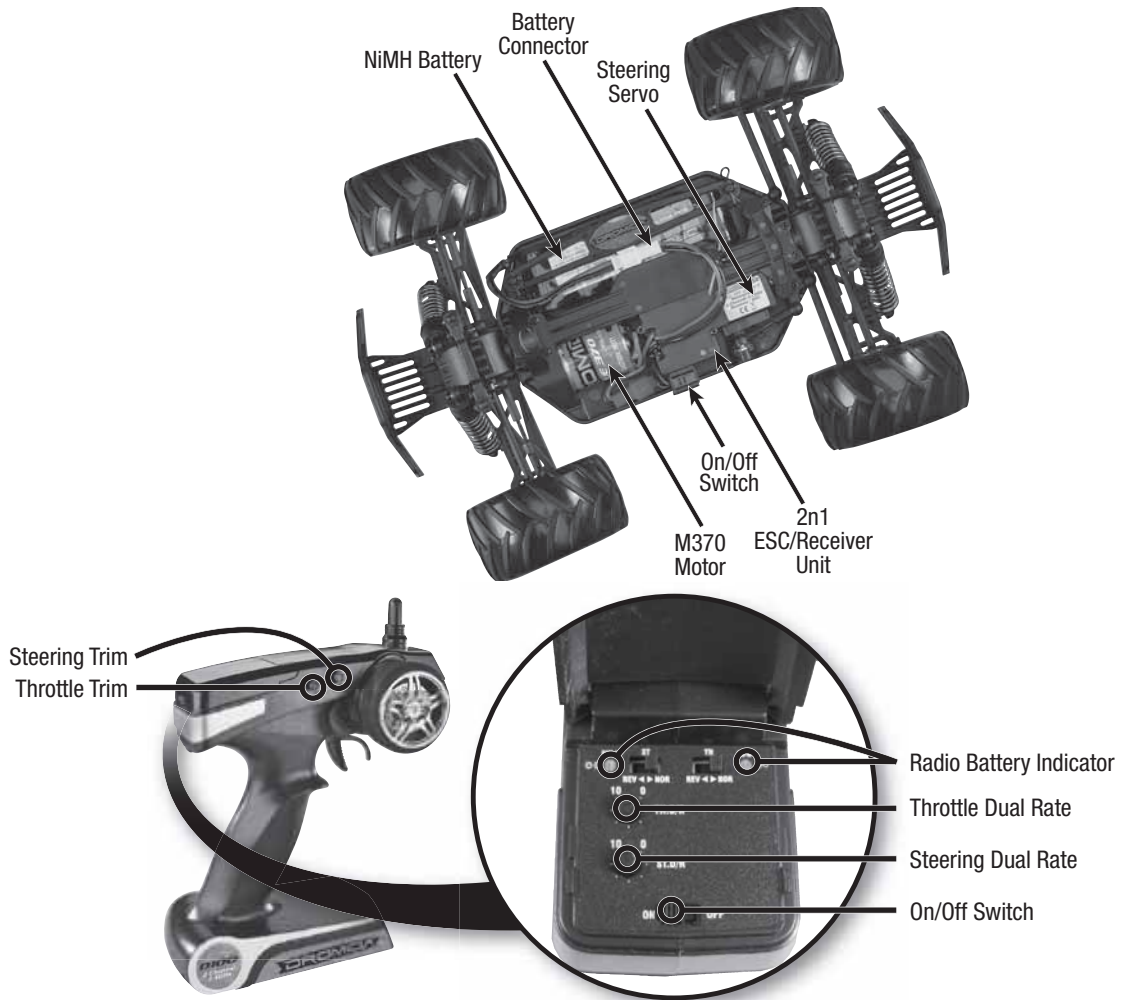
90 DAY LIMITED WARRANTY

PLEASE DO NOT RETURN YOUR PRODUCT TO THE STORE! Dromida will repair or replace factory defects for 90 days from the date of purchase. This warranty specifically does not cover crash damage, misuse or abuse. To make a warranty claim, please contact our product support team at 1-217-398-8970 or e-mail us at productsupport@hobbico.com.

If requested by Product Support, please send defective product to: Hobby Services, 3002 N Apollo Dr., Suite #1, Champaign, IL 61822.

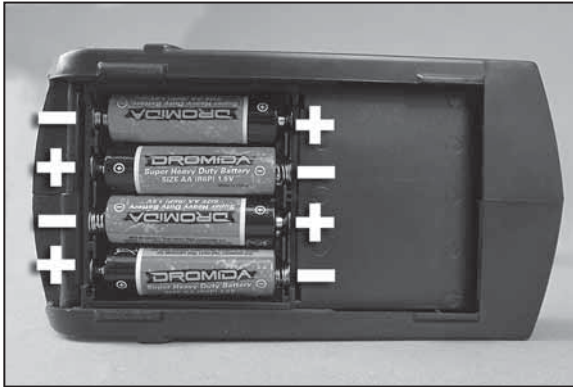
This warranty applies only if the product is operated in compliance with the instructions and warnings provided with each model. Dromida assumes no liability except for the exclusive remedy or repair of parts as specified above. Dromida shall not be liable for consequential or incidental damages. Some states do not allow the exclusion of consequential or incidental damages so the above exclusion may not apply to you. This warranty gives you specific legal rights and you may also have other rights which vary from state to state.

VEHICLE AND RADIO PARTS



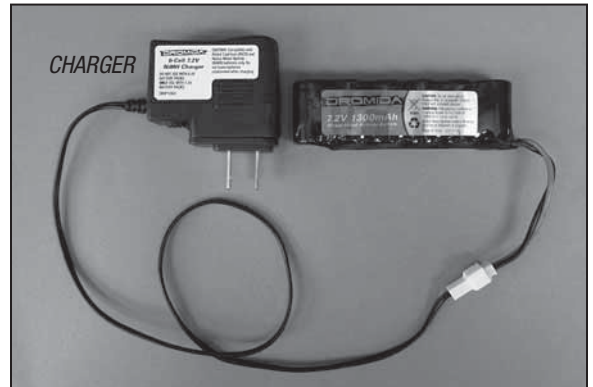
BATTERIES

Radio:



Insert 4 "AA" batteries into the bottom of the radio.

Vehicle:



1. Switch off the vehicle and remove the battery.
2. Carefully connect the battery to the charger.
3. Plug the charger into an AC wall outlet.
4. The charging process takes approximately 2 hours. Unplug the battery when charge is complete. **WARNING:** Never leave the charging battery unattended!

NOTE: The included charger is for use with only NiMH batteries. Do not use with LiPo batteries.

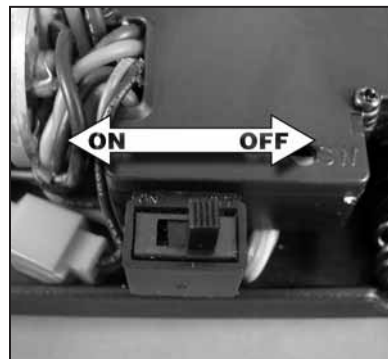
DRIVING THE VEHICLE



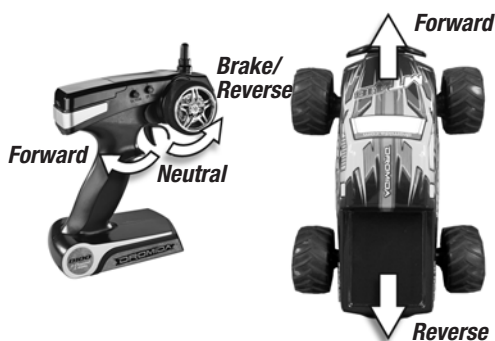
1. Install the battery into the vehicle and connect the battery.
2. Secure battery strap to post using clips.



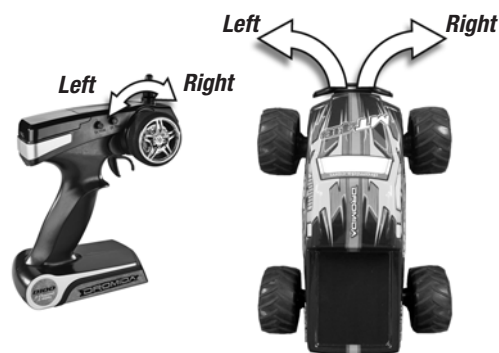
3. Switch radio on.



4. Switch vehicle on.



- To slowly drive forward, pull the trigger slightly. To drive faster, pull the trigger further.
- To brake, push the trigger. To drive in reverse, push again.
- During a crash, release the trigger.



- To turn, rotate the wheel to the left or right.
- Adjust the steering trim if the car doesn't track straight (see below).

- When the vehicle battery becomes low, the vehicle will start to slow down.
- Allow the battery to cool before recharging.
- Make sure to turn both the vehicle and the radio off after each use.
- ALWAYS unplug the battery after each use.

TRIMS AND DUAL RATES



Throttle Trim

- If the vehicle drives forward without throttle input, rotate the throttle trim knob slightly left.
- If the vehicle drives backwards without throttle input, rotate the throttle trim knob slightly right.

Steering Trim

- If the vehicle tracks right (when viewed from behind), rotate the steering trim knob slightly left.
- If the vehicle tracks left (when viewed from behind), rotate the steering trim knob slightly right.
- Check that the servo saver screw is fully tightened to ensure that your vehicle tracks straight.

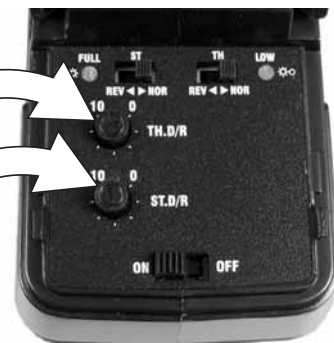
Throttle Dual Rate

- If you need to limit the maximum speed of your vehicle, rotate the "TH.D/R" knob counterclockwise. For higher top speeds, rotate the knob clockwise.

Steering Dual Rate

- If you need to limit the amount of steering your vehicle has, rotate the "ST.D/R" knob counterclockwise. For more steering, rotate the knob clockwise.

NOTE: We recommend limiting the vehicle's maximum speed for beginners and gradually increasing the top speed once you become more comfortable with the controls.



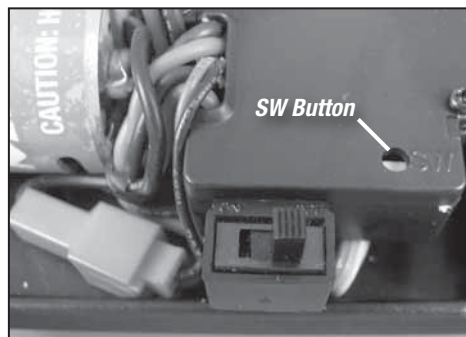
DRIVING TIPS

- Always release the throttle trigger right away following a crash to prevent damaging the electronics.
- The vehicle should be operated in an open space with no people or animals nearby.
- Do not operate this vehicle on the street.

LINKING PROCEDURE

To link the radio to the receiver:

1. Turn on the radio, then turn on the vehicle.
2. Press the "SW" button on the 2n1 ESC/Receiver unit and release. The ESC should beep, notifying you it is linked.
3. Process is complete.



REPLACEMENT AND OPTION PARTS

For repair information or a complete list of replacement and option parts, visit dromida.com.

SERVICE

If your vehicle requires repairs or replacement, contact:

Hobby Services
3002 N. Apollo Drive, Suite 1
Champaign, IL, 61822, U.S.A.

9am-5pm Central Mon.-Fri.
(217) 398-0007
hobbyservices@hobbico.com

FCC STATEMENT

This device complies with part 15 of the FCC rules. Operation is subject to the following two conditions.

- (1) This device may not cause harmful interference.
- (2) This device must accept any interference received, including interference that may cause undesired operation.

NOTE: THE MANUFACTURER IS NOT RESPONSIBLE FOR ANY RADIO OR TV INTERFERENCE CAUSED BY UNAUTHORIZED MODIFICATIONS TO THIS EQUIPMENT.

Any changes or modifications not expressly approved by the party responsible for compliance could void the user's authority to operate the equipment.

This equipment complies with FCC radiation exposure limits set forth for an uncontrolled environment.

This equipment should be installed and operated with a minimum distance of 20cm between the radiator (transmitter) and your body.

CE COMPLIANCE INFORMATION FOR THE EUROPEAN UNION

INSTRUCTIONS FOR DISPOSAL OF WASTE EQUIPMENT BY PRIVATE USERS IN THE EUROPEAN UNION:

This symbol on the product or its packaging indicates this product must not be disposed of with other household waste. Instead, it is the user's responsibility to dispose of their waste equipment by handing it over to a designated collection point for the recycling of waste electrical and electronic equipment. The separate collection and recycling of your waste equipment at the time of disposal will help to conserve natural resources and ensure that it is recycled in a manner that protects human health and the environment. For more information about where you can drop off your waste equipment for recycling, please contact your local city office, your household waste disposal service or location where you purchased the product.



DECLARATION OF CONFORMITY:

Product: Dromida D100 2.4GHz 2-Channel Pistol Transmitter/RE18 2n1 RX/ESC
Item number: DIDJ1000/DIDM1000
Equipment class: 1



Dromida
c/o Hobbico, Inc.
2904 Research Road
Champaign, IL USA 61826

DROMIDA D100 TRANSMITTER AND DROMIDA RE18 2N1 RECEIVER/SPEED CONTROL:

ETSI RADIO COMPLIANCE:

In accordance with: ETSI EN300 328 V1.8.1 about the effective uses allocated spectrum requirements of Article 3 of the R&TTE Directive

EMC COMPLIANCE:

In accordance with: ETSI EN301 489-1 V1.9.2; ETSI EN301 489-17 V2.2.1; EN55022:2010/EN55024:2010 About the Electromagnetic Compatibility requirements of Article 3.1b of the R&TTE Directive and EMC Directive 2004/108/EC