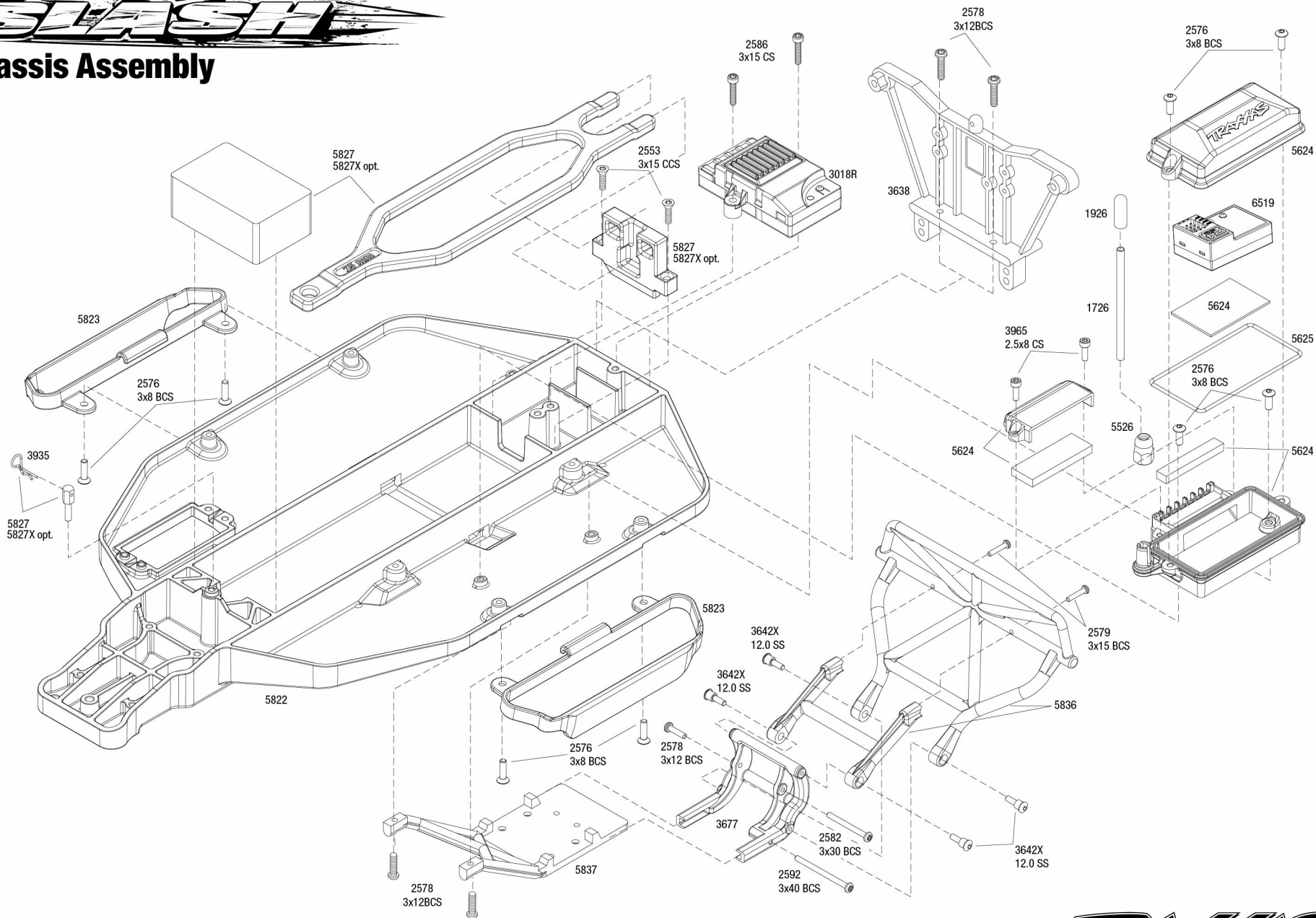




Chassis Assembly

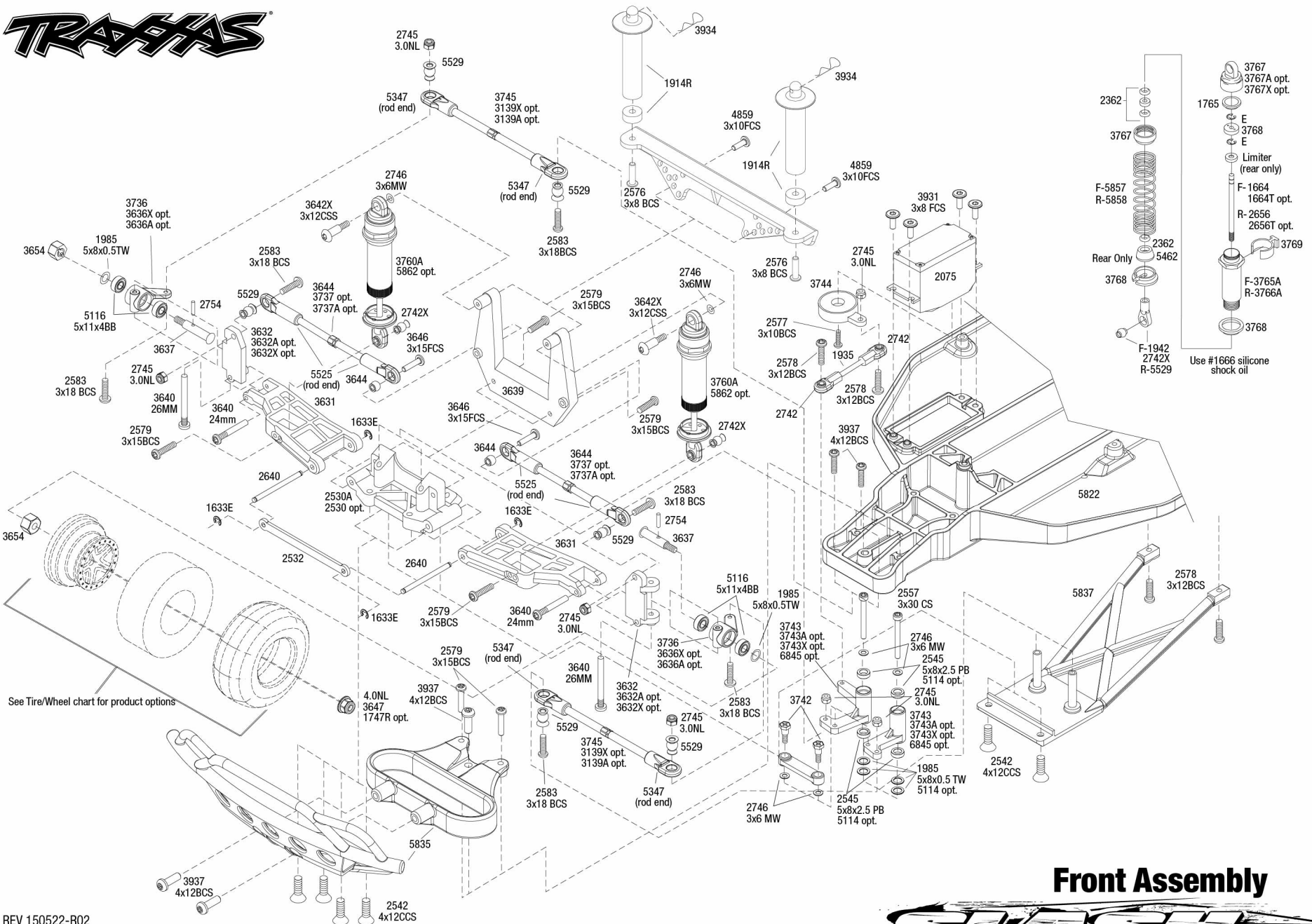


REV 150522-R02

Specifications on this page are subject to change without notice. Every attempt has been made to ensure the accuracy of this drawing, however Traxxas cannot be held responsible for typographical or other errors.

See Parts List for a complete listing of optional accessories.





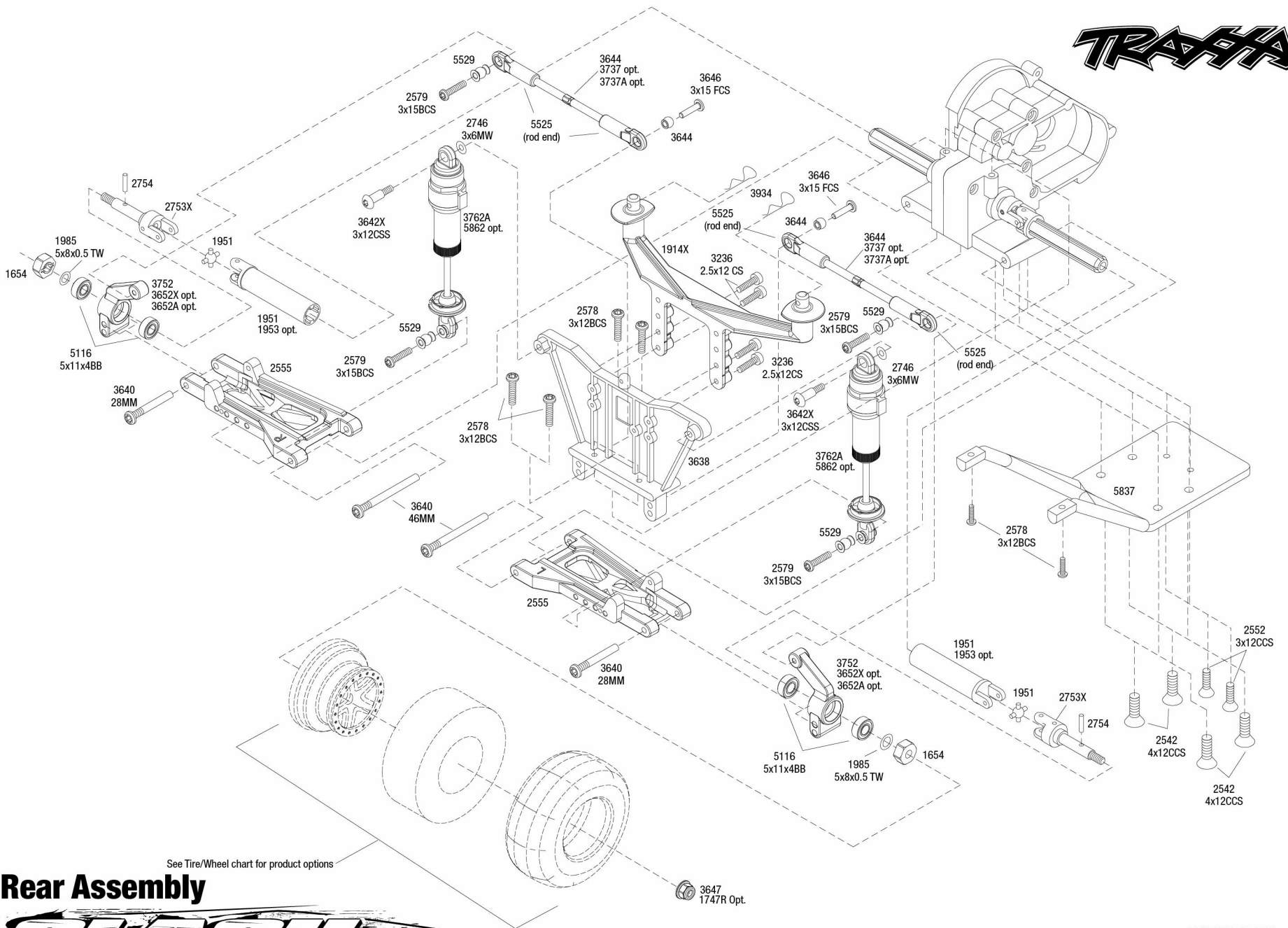
Front Assembly



REV 150522-R02

Specifications on this page are subject to change without notice. Every attempt has been made to ensure the accuracy of this drawing, however Traxxas cannot be held responsible for typographical or other errors.

See Parts List for a complete listing of optional accessories.



See Tire/Wheel chart for product options

Rear Assembly



See Parts List for a complete listing of optional accessories.

Specifications on this page are subject to change without notice. Every attempt has been made to ensure the accuracy of this drawing, however Traxxas cannot be held responsible for typographical or other errors.

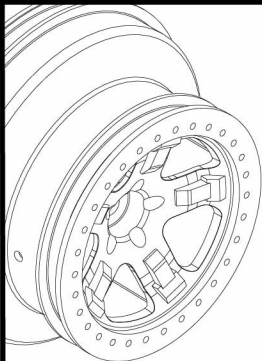
REV 150522-R02



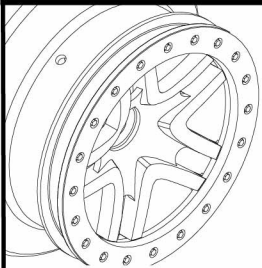
Wheel and Tire Chart



<p>Traxxas SCT Tires with Foam Inserts</p>		<p>BFGoodrich® Mud Terrain™ T/A® Tires with Foam Inserts</p>		<p>Kumho Road Venture MT tires with Foam Inserts</p>	
5871	<i>S1 Ultra-Soft Racing Compound</i> 5871R	6871	<i>S1 Ultra-Soft Racing Compound</i> 6871R	6870	<i>S1 Ultra-Soft Racing Compound</i> 6870R



Traxxas SCT Wheels



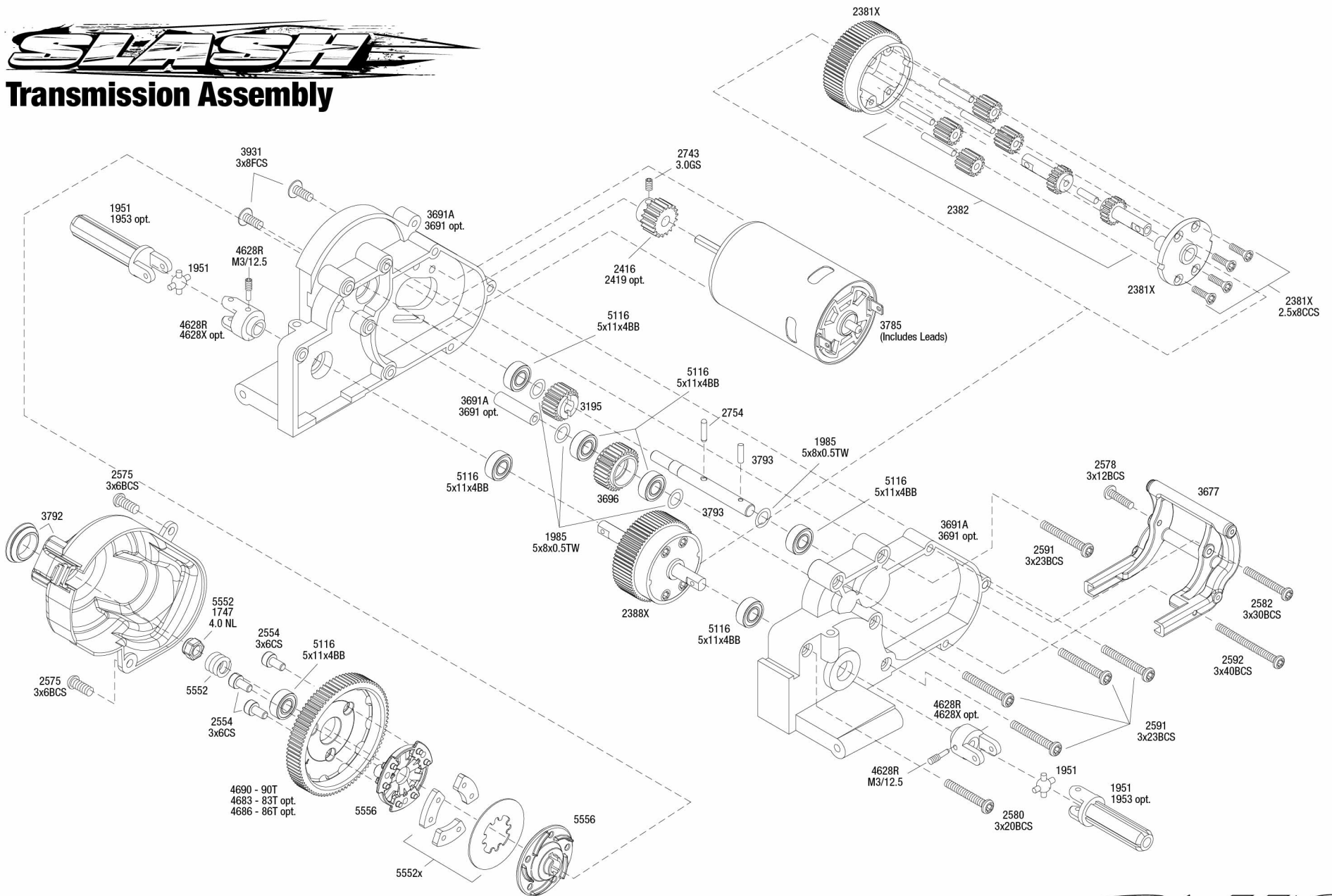
Split Spoke Wheels

Wheels*		Assembled Wheels and Tires		Assembled Wheels and Tires		Assembled Wheels and Tires	
Satin Beadlock/ Satin Wheel - Slash Rear or Slash 4x4 Front/Rear	5872	5873	-	-	-	-	-
Satin Beadlock/ Satin Wheel - Slash Front	5874	5875	-	-	-	-	-
Red Beadlock/ Satin Wheel - Slash Rear or Slash 4x4 Front/Rear	5872A	5873A	5873R	=	=	=	=
Red Beadlock/ Satin Wheel - Slash Front	5874A	5875A	5875R	-	-	-	-
Black Beadlock/ Satin Wheel - Slash Rear or Slash 4x4 Front/Rear	5872X	5873X	-	5878	-	5880X	-
Black Beadlock/ Satin Wheel - Slash Front	5874X	5875X	-	5879	-	5881X	-
Red Beadlock/ Chrome Wheel - Slash Rear or Slash 4x4 Front/Rear	5868	-	-	5867	-	-	-
Red Beadlock/ Chrome Wheel - Slash Front	5870	-	-	5869	-	-	-
Green Beadlock/ Chrome Wheel - Slash Front	5866	-	-	5865	-	-	-
Green Beadlock/ Chrome Wheel - Slash Rear or Slash 4x4 Front/Rear	6875	-	-	6876	-	-	-
Orange Beadlock/ Black Wheel - Slash Front	5870X	5864	-	-	-	-	-
Orange Beadlock/ Black Wheel - Slash Rear or Slash 4x4 Front/Rear	5868X	5863	-	-	-	-	-
Black Beadlock/ Satin Wheel - Slash Rear or Slash 4x4 Front/Rear	6872	-	-	6873	6873X	6874	6874R
Black Beadlock/ Satin Wheel - Slash Front	5876	-	-	5877	-	5882	5882R
Red Beadlock/ Chrome Wheel - Slash Rear or Slash 4x4 Front/Rear	6872A	-	-	6873A	6873R	-	-
Red Beadlock/ Chrome Wheel - Slash Front	5876A	-	-	5877A	5877R	-	-
Green Beadlock/ Chrome Wheel - Slash Rear or Slash 4x4 Front/Rear Front	6872X	-	-	-	-	-	-
Satin Beadlock/ Black Wheel - Slash Front	5886	-	-	5885	-	-	-
Satin Beadlock/ Black Wheel - Slash Rear or Slash 4x4 Front/Rear	5884	-	-	5883	-	-	-
Blue Beadlock/ Black Wheel - Slash Front	5886A	-	-	5885A	-	-	-
Blue Beadlock/ Black Wheel - Slash Rear or Slash 4x4 Front/Rear	5884A	-	-	5883A	-	-	-

* Wheels and/or tires sold in pairs



Transmission Assembly



REV 150522-R02
See Parts List for a complete
listing of optional accessories.



Specifications on this page are subject to change without notice. Every attempt has been made to ensure the accuracy of this drawing, however Traxxas cannot be held responsible for typographical or other errors.



Slash (58034-1) Parts List

Parts shown in bold are optional accessories. Part categories and individual part listings are arranged alphabetically. Prices are shown in US Dollars.

Bearings & Bushings

4607	Ball bearings (5x11x4mm) (8).....	\$24.00
2728	Ball bearings (5x8x2.5mm) (2).....	\$8.00
5116	Ball bearings, blue rubber sealed (5x11x4mm) (2).....	\$3.50
5114	Ball bearings, blue rubber sealed (5x8x2.5mm) (2).....	\$4.00
2545	Bellcrank bushings (plastic) (5x8x2.5mm) (4).....	\$3.00
1675	Bushings, self-lubricating (5x11x4mm) (14).....	\$5.00
1985	PTFE-coated washers, 5x8x0.5mm (20) (use with ball bearings)...	\$2.00

Body & Accessories

1926	Antenna caps, vinyl (2)/ antenna spool.....	\$2.00
1726	Antenna, tube (1)/ vinyl antenna cap (1)/ wire retainer (1).....	\$1.00
3935	Body clip (mounting clip), angled, 90-degrees (10).....	\$3.00
3934	Body clips, heavy duty (12).....	\$3.00
1914R	Body mount, front & rear (black)/ body posts, 52mm (2), 38mm (2), 25mm (2), 6.5mm (2)/ body post extensions (2)/ hardware.....	\$6.00
1815	Body washers (8).....	\$2.00
6716	Body washers, foam, 2mm (2)/ 3mm (2)/ 4mm (4).....	\$2.00
5814	Body, Ford Raptor® (clear, requires painting)/decals.....	\$50.00
5814A	Body, Ford Raptor®, blue (painted, decals applied).....	\$75.00
5814R	Body, Ford Raptor®, red (painted, decals applied).....	\$75.00
5814X	Body, Ford Raptor®, white (painted, decals applied).....	\$75.00
6811	Body, Slash 4X4 (clear, untrimmed, requires painting)/ window masks/ decal sheet.....	\$35.00
6817	Body, Slash 4X4, Amsoil (painted, decals applied).....	\$60.00
6831	Body, Slash 4X4, Chad Hord (painted, decals applied).....	\$60.00
6818	Body, Slash 4X4, Greg Adler, 4 Wheel Parts (painted, decals applied).....	\$60.00
6820	Body, Slash 4X4, Jeff Kincaid (painted, decals applied).....	\$60.00
6821	Body, Slash 4X4, Jerry Wheelchel Huffman Motorsports (painted, decals applied).....	\$60.00
6825X	Body, Slash 4X4, Mark Jenkins #25 (painted, decals applied)..	\$60.00
6826	Body, Slash 4X4, Mike Jenkins #47 (painted, decals applied)..	\$60.00
6811X	Body, Slash 4X4, ProGraphix (Graphics are printed, requires paint & final color application)/ decal sheet.....	\$44.99
6827	Body, Slash 4X4, Robby Gordon (painted, decals applied).....	\$60.00
2514	Decal sheet, racing sponsors.....	\$3.00
5813	Decal Sheet, Slash.....	\$11.00
9950	Official Team Traxxas racing decal set (flag logo/ 6-color).....	\$4.50

Chassis & Attachments

5526	Antenna crimp nut, aluminum (blue-anodized)/ antenna nut tools ..	\$4.00
5526R	Antenna crimp nut, aluminum (red-anodized)/ antenna nut tools ..	\$4.00
1914R	Body mount, front & rear (black)/ body posts, 52mm (2), 38mm (2), 25mm (2), 6.5mm (2)/ body post extensions (2)/ hardware.....	\$6.00
5624	Box, receiver (sealed)/ foam pad/ silicone grease/ 3x8mm BCS (2)/ 2.5x8mm CS (2)/ 3x6mm BCS (2).....	\$12.00
5835	Bumper, front/ bumper mount, front (black).....	\$10.00
5836	Bumper, rear/ bumper mount, rear (black).....	\$10.00
5830	Chassis conversion kit, low CG (Slash).....	\$39.00
5832	Chassis, low CG (black).....	\$19.00
5832A	Chassis, low CG (blue).....	\$19.00
5832G	Chassis, low CG (grey).....	\$19.00
5822	Chassis, Slash.....	\$18.00
5822A	Chassis, Slash (black).....	\$18.00
5827	Hold down, battery/ hold down retainer/ battery post/ foam spacer/ angled body clip.....	\$6.00
5827X	Hold down, battery/ hold down retainer/ battery post/ foam spacer/ angled body clip (allows for installation of taller, multi-cell batteries).....	\$6.00
5831	Lower chassis, low CG (black).....	\$6.00
5831A	Lower chassis, low CG (blue).....	\$6.00
5831G	Lower chassis, low CG (grey).....	\$6.00
5823	Nerf bars, chassis (black).....	\$4.00
5833	Nerf bars, low CG (black).....	\$4.00
5833A	Nerf bars, low CG (blue).....	\$4.00
5833G	Nerf bars, low CG (grey).....	\$4.00
5625	Seal kit, receiver box (includes o-ring, seals, and silicone grease) ..	\$4.00
5837	Skidplates, front & rear (black).....	\$8.00
5185	Tires, rubber (2) (fits Traxxas wheelie bar wheels).....	\$7.00
4974	Wheelie bar arm (1)/ connector (1)/ 3x12 SS (hex drive) (4).....	\$10.00
3677A	Wheelie bar mount (1) / hardware (green).....	\$4.00
3677	Wheelie bar mount (1)/ hardware (black).....	\$4.00
3677X	Wheelie bar mount (1)/ hardware (blue).....	\$4.00
3678	Wheelie bar, assembled (black) (fits Slash, Stampede, Rustler, Bandit series).....	\$15.00

3678X	Wheelie bar, assembled (blue) (fits Slash, Stampede, Rustler, Bandit series).....	\$15.00
3678A	Wheelie bar, assembled (green) (fits Stampede, Rustler, Bandit series).....	\$15.00
4976	Wheels (4)/ Axles (2), for Maxx wheelie bar.....	\$4.00
5186A	Wheels, aluminum (blue-anodized) (2)/ 5x8mm ball bearings (4)/ axles (2)/ rubber tires (2).....	\$19.95
5186	Wheels, aluminum (red-anodized) (2)/ 5x8mm ball bearings (4)/ axles (2)/ rubber tires (2).....	\$19.95

Differential Components

2381X	Main diff with steel ring gear/ side cover plate/ screws (Bandit, Stampede, Rustler).....	\$6.00
2382	Planet gears (4)/ planet shafts (4)/ sun gears (2)/sun gear alignment shaft (1) all hardened steel.....	\$6.00
2388X	Planetary gear differential with steel ring gear (complete) (fits Bandit, Stampede, Rustler).....	\$15.00
5169	Screws, 2.6x8mm countersunk machine (6).....	\$2.00
1647	Silicone grease.....	\$2.00

Driveline Components

5116	Ball bearings, blue rubber sealed (5x11x4mm) (2).....	\$3.50
4628R	Differential output yokes, black (2)/ 3x5mm countersunk screws (2)/ screw pin (2).....	\$4.00
4628X	Differential output yokes, hardened steel (w/ U-joints) (2).....	\$19.50
6828X	Differential output yokes, heavy duty (2)/ screw pin (2).....	\$4.00
6852X	Driveshaft assembly, rear, heavy duty (1) (left or right) (fully assembled, ready to install)/ screw pin (1).....	\$10.00
6852R	Driveshafts, rear, steel-spline constant-velocity (complete assembly) (2).....	\$80.00
1953	Half shaft pro-pack (internal-splined (6)/ external-splined (6) (plastic shafts only).....	\$10.00
6750	Half shaft, external splined (steel-spline constant-velocity) (1).....	\$8.00
6751	Half shaft, internal splined (steel-spline constant-velocity) (1).....	\$6.00
6850X	Half shafts, heavy duty (external splined (2)/ internal splined (2))/ metal u-joints (4).....	\$8.00
1951	Half shafts, long truck (external-splined (2) & internal-splined (2)/ metal U-joints (4).....	\$6.00
6757	Rebuild kit, steel-splined constant-velocity driveshafts (includes pins, dustboots, lube, and hardware).....	\$18.00
3752	Stub axle carriers (2) (requires 5x11x4mm bearings).....	\$3.00
3652A	Stub axle carriers, Rustler/Stampede/Bandit (2), 6061-T6 aluminum (blue-anodized)/ 5x11mm ball bearings (4).....	\$35.00
3652G	Stub axle carriers, Rustler/Stampede/Bandit (2), 6061-T6 aluminum (green-anodized)/ 5x11mm ball bearings (4).....	\$35.00
3652X	Stub axle carriers, Rustler/Stampede/Bandit (2), 6061-T6 aluminum (red-anodized)/ 5x11mm ball bearings (4).....	\$35.00
2754	Stub axle pins (4).....	\$1.00
6753	Stub axle, rear, steel-splined constant-velocity (1).....	\$7.50
2753X	Stub axles, rear (2).....	\$5.00
6853X	Stub axles, rear, heavy duty (2)/pins (2).....	\$6.00

Front Suspension & Steering

3637	Axles (front) (2).....	\$3.00
2728	Ball bearings (5x8x2.5mm) (2).....	\$8.00
5116	Ball bearings, blue rubber sealed (5x11x4mm) (2).....	\$3.50
2545	Bellcrank bushings (plastic) (5x8x2.5mm) (4).....	\$3.00
2530	Bulkhead (front) (black).....	\$6.00
2530A	Bulkhead (front) (grey).....	\$6.00
3632	Caster blocks (l&r) (30-degree).....	\$4.00
3632A	Caster blocks, 30-degree, blue-anodized 6061-T6 aluminum (left & right)/ suspension screw pin (2).....	\$24.00
3632G	Caster blocks, 30-degree, green-anodized 6061-T6 aluminum (left & right)/ suspension screw pin (2).....	\$24.00
3632X	Caster blocks, 30-degree, red-anodized 6061-T6 aluminum (left & right)/ suspension screw pin (2).....	\$24.00
5347	Rod ends, Revo (large) with hollow balls (12).....	\$9.00
3646	Screws, 3x15mm flat-head machine (hex drive) (6).....	\$2.50
3744	Servo saver w/ adapters.....	\$4.00
3639	Shock tower (front).....	\$4.00
3743	Steering bellcranks (l&r)/ draglink.....	\$4.00
3743A	Steering bellcranks, drag link (blue-anodized T6 aluminum)/ 5x8mm ball bearings (4) hardware (assembled).....	\$34.00
3743X	Steering bellcranks, drag link (red-anodized T6 aluminum)/ 5x8mm ball bearings (4) hardware (assembled).....	\$34.00
6845X	Steering bellcranks/ servo saver/ servo spring/ servo spring retainer/servo horn, steering.....	\$12.00
3736	Steering blocks, left & right (2) (requires 5x11x4mm bearings).....	\$3.00

3636A	Steering blocks, Rustler/Stampede/Bandit (2), 6061-T6 aluminum (blue-anodized)/ 5x11mm ball bearings (4).....	\$35.00
3636G	Steering blocks, Rustler/Stampede/Bandit (2), 6061-T6 aluminum (green-anodized)/ 5x11mm ball bearings (4)	\$35.00
3636X	Steering blocks, Rustler/Stampede/Bandit (2), 6061-T6 aluminum (red-anodized)/ 5x11mm ball bearings (4)	\$35.00
3631	Suspension arms (front) (2).....	\$8.00
2640	Suspension pins, 44mm (2) w/ E-clips.....	\$2.50
3640	Suspension screw pin set, steel (hex drive) (requires part #2640 for a complete suspension pin set) (Rustler, Stampede, Bandit)	\$4.50
2532	Tie bar, fiberglass.....	\$4.00
1935	Turnbuckles, 36mm (2)	\$2.00
3139A	Turnbuckles, aluminum (blue-anodized), toe links, 59mm (2) (assembled w/ rod ends & hollow balls) (requires 5mm aluminum wrench #5477).....	\$12.00
3139X	Turnbuckles, aluminum (red-anodized), toe links, 59mm (2) (assembled with rod ends & hollow balls) (requires 5mm aluminum wrench #5477).....	\$12.00
3644	Turnbuckles, camber link, 39mm (69mm center to center) (assembled with rod ends and hollow balls) (1 left, 1 right)	\$7.00
3745	Turnbuckles, toe link, 59mm (78mm center to center) (2) (assembled with rod ends and hollow balls).....	\$8.75

Hardware

1926	Antenna caps, vinyl (2)/ antenna spool	\$2.00
1726	Antenna, tube (1)/ vinyl antenna cap (1)/ wire retainer (1).....	\$1.00
3935	Body clip (mounting clip), angled, 90-degrees (10)	\$3.00
3934	Body clips, heavy duty (12)	\$3.00
1589	Double-sided adhesive tape (25mm x 25mm) (2).....	\$1.00
1633	E-clips/ C-rings.....	\$2.00
2586	Head screws, 3x15mm cap-head machine (hex drive) (6) (TRX 2.5).....	\$2.50
2745	Nuts, 3mm nylon locking (12).....	\$2.00
3647	Nuts, 4mm flanged nylon locking (steel, serrated) (8).....	\$3.25
1747	Nuts, 4mm nylon locking (10)	\$2.00
1985	PTFE-coated washers, 5x8x0.5mm (20) (use with ball bearings)...	\$2.00
5525	Rod ends (12)/ hollow balls (12).....	\$9.00
5347	Rod ends, Revo (large) with hollow balls (12)	\$9.00
2742X	Rod ends, short (6)/ hollow balls (6).....	\$4.00
3215	Screws, 2.5x6mm cap-head machine (hex drive) (6).....	\$2.00
3965	Screws, 2.5x8mm cap-head machine (6)	\$2.50
2577	Screws, 3x10mm button-head machine (hex drive) (6)	\$2.50
4859	Screws, 3x10mm flat-head machine (hex drive) (4).....	\$1.75
2578	Screws, 3x12mm button-head machine (hex drive) (6)	\$2.50
2552	Screws, 3x12mm countersunk machine (6) (hex drive).....	\$2.50
2579	Screws, 3x15mm button-head machine (hex drive) (6)	\$2.50
3646	Screws, 3x15mm flat-head machine (hex drive) (6).....	\$2.50
2583	Screws, 3x18mm button-head machine (hex drive) (6)	\$2.50
2580	Screws, 3x20mm button-head machine (hex drive) (6)	\$2.50
2591	Screws, 3x23mm button-head machine (hex drive) (6)	\$2.50
2582	Screws, 3x30mm button-head machine (hex drive) (6)	\$2.50
2592	Screws, 3x40mm button-head machine (hex drive) (6)	\$3.00
2575	Screws, 3x6mm button-head machine (hex drive) (6)	\$2.50
3932	Screws, 3x6mm flat-head machine (hex drive) (6)	\$2.50
2576	Screws, 3x8mm button-head machine (hex drive) (6)	\$2.50
3931	Screws, 3x8mm flat-head machine (hex drive) (6)	\$2.50
3937	Screws, 4x12mm button-head machine (hex drive) (6)	\$2.50
2542	Screws, 4x12mm countersunk machine (hex drive) (6).....	\$2.50
2546	Screws, 4x15mm countersunk machine (hex drive) (6).....	\$2.50
2743	Set (grub) screws, 3mm hardened (12).....	\$3.00
5529	Shim set, 3x7x1mm (2), 3x6x0.5mm (4), 3x7x2mm (2)/ hollow balls, captured (4)	\$3.50
3742	Shoulder screws, steering bellcranks (3x30mm cap-head machine) (2)/ draglink shoulder screws (chrome) (2).....	\$2.00
3642X	Shoulder screws, Ultra Shocks (3x12 hex drive) (6).....	\$3.00
2754	Stub axle pins (4)	\$1.00
2746	Washers, 3x6mm metal (12).....	\$1.50

Manuals

5899	Owner's Manual, Slash	\$8.00
------	-----------------------------	--------

Motors & Electronics

1726	Antenna, tube (1)/ vinyl antenna cap (1)/ wire retainer (1).....	\$1.00
2072	Gear set (for 2070, 2075 servos).....	\$4.00
3785	Motor, Titan 12T (12-Turn, 550 size).....	\$26.00
3351R	Motor, Velineon 3500, brushless (assembled with 12-gauge wire and gold-plated bullet connectors).....	\$120.00
3931	Screws, 3x8mm flat-head machine (hex drive) (6)	\$2.50
2074	Servo case/gaskets (for 2056 and 2075 waterproof servos).....	\$6.00
2075	Servo, digital high-torque (ball bearing), waterproof.....	\$46.00
3350R	Velineon VXL-3s Brushless Power System, waterproof (includes VXL-3s waterproof ESC, Velineon 3500 motor, and speed control mounting plate (part #3725))	\$250.00

3355R	Velineon VXL-3s Electronic Speed Control, waterproof (brushless) (fwd/rev/brake).....	\$220.00
3018R	XL-5 Electronic Speed Control, waterproof (land version, low-voltage detection, fwd/rev/brake).....	\$85.00

Radio System, Batteries & Chargers

2869X	7600mAh 7.4v 2-Cell 25C LiPo Battery	\$120.00
2976	AC to DC converter, 40W	\$32.00
2938	Adapter, Traxxas iD Lipo Battery. (Connects Traxxas iD batteries to LiPo chargers with separate balance ports).....	\$12.00
5526	Antenna crimp nut, aluminum (blue-anodized)/ antenna nut tools ..	\$4.00
5526R	Antenna crimp nut, aluminum (red-anodized)/ antenna nut tools	\$4.00
6548	Battery door, TQ 2.4 transmitter (replacement for #6516, 6517, 6528, 6529, 6530 transmitter)	\$4.00
2914	Battery, Power Cell AA Alkaline (4).....	\$3.99
2927X	Charger, A/C, 500 mA (7 cell, NiMH) (includes plug inserts for US/Japan, European Union, United Kingdom, and Australia)...	\$25.00
2975	Charger, DC, 4 amp (6 - 7 cell, 7.2 - 8.4 volt, NiMH)	\$32.00
2970	Charger, EZ-Peak Plus, 4 amp, LiPo/NiMH with iD Auto Battery Identification.....	\$65.00
6525	Communication link, telemetry expander.....	\$4.00
2072	Gear set (for 2070, 2075 servos).....	\$4.00
6554	Mount, telemetry expander (fits Rustler, Bandit, Slash 2WD)...	\$10.00
6535	Mount, temperature sensor (electric motors)/ wire tie/ thermal pad.....	\$3.00
6519	Receiver, micro, TQ 2.4GHz (3-channel).....	\$30.00
6518	Receiver, micro, TQi 2.4GHz with telemetry (5-channel).....	\$50.00
6552	Seal kit, expander box (includes o-ring, seals, and silicone grease)	\$4.00
6526	Sensor, auto-detectable, temperature	\$14.00
6527	Sensor, auto-detectable, voltage	\$14.00
6520	Sensor, RPM (long)/ 3x4mm BCS (2)/ 3x4 GS (1).....	\$12.00
6521	Sensor, temperature and voltage (long)	\$12.00
2074	Servo case/gaskets (for 2056 and 2075 waterproof servos).....	\$6.00
2075	Servo, digital high-torque (ball bearing), waterproof	\$46.00
6550	Telemetry expander, TQi radio system.....	\$35.00
6551	Telemetry GPS module, TQi radio system.....	\$100.00
6540	Telemetry trigger magnet, 5X2mm (1).....	\$2.00
6509X	TQi 2.4 GHz radio system, 2-channel Traxxas Link enabled (2-ch transmitter, 5-ch micro receiver)	\$135.00
6507X	TQi 2.4 GHz radio system, 4-channel with Traxxas Link Wireless Module (4-ch transmitter, 5-ch micro receiver).....	\$200.00
6516	Transmitter, TQ 2.4GHz, 2-channel (transmitter only)	\$60.00
6528	Transmitter, TQi Traxxas Link enabled, 2.4GHz high output, 2-channel (transmitter only)	\$100.00
6529	Transmitter, TQi Traxxas Link enabled, 2.4GHz high output, 3-channel (transmitter only)	\$105.00
6530	Transmitter, TQi Traxxas Link enabled, 2.4GHz high output, 4-channel (transmitter only)	\$115.00
3355R	Velineon VXL-3s Electronic Speed Control, waterproof (brushless) (fwd/rev/brake).....	\$220.00
6537	Wire retainers, gear cover/ 3x4mm BCS (2).....	\$3.00
3018R	XL-5 Electronic Speed Control, waterproof (land version, low-voltage detection, fwd/rev/brake).....	\$85.00

Ready-To-Race Model

58034-1	Slash: 1/10-Scale 2WD Short Course Racing Truck with TQ 2.4GHz radio system	Call
---------	---	------

Rear Suspension

5116	Ball bearings, blue rubber sealed (5x11x4mm) (2)	\$3.50
1951	Half shafts, long truck (external-splined (2) & internal-splined (2)/ metal U-joints (4)	\$6.00
3638	Shock tower (rear).....	\$4.50
3752	Stub axle carriers (2) (requires 5x11x4mm bearings)	\$3.00
3652A	Stub axle carriers, Rustler/Stampede/Bandit (2), 6061-T6 aluminum (blue-anodized)/ 5x11mm ball bearings (4).....	\$35.00
3652G	Stub axle carriers, Rustler/Stampede/Bandit (2), 6061-T6 aluminum (green-anodized)/ 5x11mm ball bearings (4).....	\$35.00
3652X	Stub axle carriers, Rustler/Stampede/Bandit (2), 6061-T6 aluminum (red-anodized)/ 5x11mm ball bearings (4).....	\$35.00
2753X	Stub axles, rear (2).....	\$5.00
2555	Suspension arms, (rear) (2).....	\$10.00
3640	Suspension screw pin set, steel (hex drive) (requires part #2640 for a complete suspension pin set) (Rustler, Stampede, Bandit)	\$4.50
3644	Turnbuckles, camber link, 39mm (69mm center to center) (assembled with rod ends and hollow balls) (1 left, 1 right)	\$7.00

Shocks (Aluminum)

1965	Piston head set, (2 sets of 3 types)/ shock collars (2)/ spring retainers (2).....	\$2.50
1942	Rod ends (16 long & 4 short)/ hollow ball connectors (18)/ ball screws (2).....	\$7.00

2742X	Rod ends, short (6)/ hollow balls (6).....	\$4.00
2760	Shock caps, aluminum (2).....	\$7.00
1664T	Shock shafts, hardened steel, titanium nitride coated (long) (2).....	\$10.00
2765T	Shock shafts, hardened steel, titanium nitride coated (X-long) (2).....	\$10.00
1664	Shock shafts, steel, chrome finish (long) (2).....	\$3.00
2765	Shock shafts, steel, chrome finish (X-long) (2).....	\$3.00
4760	Shocks, long (hard-anodized & PTFE-coated T6 aluminum) w/o springs (front) (2).....	\$25.00
4761	Shocks, X-long (hard-anodized & PTFE-coated T6 aluminum) w/o springs (rear) (2).....	\$25.00
1666	Silicone shock oil (30 wt).....	\$2.00

Shocks (Pro-level Aluminum)

2664	Big Bore shock cylinder (long) (1).....	\$8.00
2666	Big Bore shock cylinder (XX-long) (1).....	\$8.00
5862	Big Bore shocks (hard-anodized & PTFE-coated T6 aluminum) (assembled with TiN shafts and springs) (front & rear) (4).....	\$70.00
2660	Big Bore shocks (long) (hard-anodized & PTFE-coated T6 aluminum) (assembled with TiN shafts) w/o springs (front) (2).....	\$30.00
2662	Big Bore shocks (XX-long) (hard-anodized & PTFE-coated T6 aluminum) (assembled with TiN shafts) w/o springs (rear) (2).....	\$30.00
2669	Piston head set (2-hole (2)/ 3-hole (2)) shock mounting bushings & washers (2) (Big Bore Shocks).....	\$2.50
2362	Rebuild kit, Ultra shocks (for 2 shocks).....	\$2.50
1942	Rod ends (16 long & 4 short)/ hollow ball connectors (18)/ ball screws (2).....	\$7.00
2742X	Rod ends, short (6)/ hollow balls (6).....	\$4.00
2667	Shock caps, aluminum (2)/ (Big Bore Shocks).....	\$7.00
1664T	Shock shafts, hardened steel, titanium nitride coated (long) (2).....	\$10.00
2656T	Shock shafts, hardened steel, titanium nitride coated (xx-long) (2).....	\$10.00
1664	Shock shafts, steel, chrome finish (long) (2).....	\$3.00
2656	Shock shafts, steel, chrome finish (xx-long) (2).....	\$3.00
1765	Silicone diaphragms (4).....	\$2.00
1666	Silicone shock oil (30 wt).....	\$2.00
2668	Spring retainers, upper & lower (2)/ spring pre-load spacers: 1mm (4)/ 1.5mm (2)/ 2mm (2)/ 4mm (2)/ 8mm (2) (Big Bore Shocks).....	\$5.50
5860	Springs, front (white) (progressive rate) (2) (fits #5862 aluminum Big Bore shocks).....	\$8.00
5859	Springs, rear (white) (progressive rate) (2) (fits #5862 aluminum Big Bore shocks).....	\$8.00

Shocks (Ultra Shocks)

3765A	Body, Ultra Shock(s) (long) (grey) (2).....	\$3.00
3766A	Body, Ultra Shock(s) (XXL) (grey) (2).....	\$3.00
2362	Rebuild kit, Ultra shocks (for 2 shocks).....	\$2.50
1942	Rod ends (16 long & 4 short)/ hollow ball connectors (18)/ ball screws (2).....	\$7.00
2742X	Rod ends, short (6)/ hollow balls (6).....	\$4.00
3767	Shock caps (2)/ shock bottoms (2).....	\$3.00
3767A	Shock caps, aluminum (blue-anodized) (4) (fits all Ultra Shocks).....	\$14.00
3767G	Shock caps, aluminum (green-anodized) (4) (fits all Ultra Shocks).....	\$14.00
3767X	Shock caps, aluminum (red-anodized) (4) (fits all Ultra Shocks).....	\$14.00
1664T	Shock shafts, hardened steel, titanium nitride coated (long) (2).....	\$10.00
2656T	Shock shafts, hardened steel, titanium nitride coated (xx-long) (2).....	\$10.00
1664	Shock shafts, steel, chrome finish (long) (2).....	\$3.00
2656	Shock shafts, steel, chrome finish (xx-long) (2).....	\$3.00
3642X	Shoulder screws, Ultra Shocks (3x12 hex drive) (6).....	\$3.00
1765	Silicone diaphragms (4).....	\$2.00
1666	Silicone shock oil (30 wt).....	\$2.00
3769	Spring pre-load spacers: 1mm (4)/ 2mm (2)/ 4mm (2)/ 8mm (2).....	\$4.00
3768	Spring retainers, upper & lower (2)/ piston head set (2-hole (2)/ 3-hole (2)).....	\$3.00
2458	Springs, front (black) (2).....	\$2.00
2458A	Springs, front (white) (2).....	\$4.00
5857	Springs, front (white) (progressive rate) (2).....	\$5.00
3757	Springs, rear (black) (2).....	\$2.00
3757T	Springs, rear (blue) (2).....	\$4.00
3757A	Springs, rear (green) (2).....	\$5.00
3757X	Springs, rear (white) (2).....	\$4.00
5858	Springs, rear (white) (progressive rate) (2).....	\$5.00
4957	Springs, red (for Ultra Shocks only) (2.5 rate) (f/r) (2).....	\$2.50

3760	Ultra Shocks (black) (long) (complete w/ spring pre-load spacers & springs) (front) (2).....	\$18.00
3762	Ultra Shocks (black) (xx-long) (complete w/ spring pre-load spacers & springs) (rear) (2).....	\$18.00
3760A	Ultra Shocks (grey) (long) (complete w/ spring pre-load spacers & springs) (2).....	\$18.00
3762A	Ultra Shocks (grey) (xx-long) (complete w/ spring pre-load spacers & springs) (rear) (2).....	\$18.00

Slipper Clutch Components

3793	Input shaft (slipper shaft) / spring pin.....	\$3.00
5552X	Rebuild kit, slipper clutch (steel disc/ friction pads (3)/ spring (2)/ pin/ 4.0mm NL (1)/ 5.0mm NL (1)).....	\$10.00
2554	Screws, 3x6mm cap-head machine (hex drive) (6).....	\$2.50
5556	Slipper pressure plate & hub (aluminum alloy).....	\$8.00

Spur Gears & Pinion Gears

2416	Gear, 16-T pinion (48-pitch) / set screw.....	\$3.50
1918	Gear, 18-T pinion (48-pitch) / set screw.....	\$3.00
2419	Gear, 19-T pinion (48-pitch) / set screw.....	\$3.00
2423	Gear, 23-T pinion (48-pitch) / set screw.....	\$3.00
2426	Gear, 26-T pinion (48-pitch)/set screw.....	\$3.00
2431	Gear, 31-T pinion (48-pitch) / set screw.....	\$3.00
4725	Gear, pinion (25-tooth) (48-pitch) / set screw.....	\$3.00
4728	Gear, pinion (28-tooth) (48-pitch)/ set screw.....	\$3.00
4683	Spur gear, 83-tooth (48-pitch) (for models with Torque-Control slipper clutch).....	\$3.00
4686	Spur gear, 86-tooth (48-pitch) (for models with Torque-Control slipper clutch).....	\$3.00
4690	Spur gear, 90-tooth (48-pitch) (for models with Torque-Control slipper clutch).....	\$3.00

Steering Components

2728	Ball bearings (5x8x2.5mm) (2).....	\$8.00
2545	Bellcrank bushings (plastic) (5x8x2.5mm) (4).....	\$3.00
1985	PTFE-coated washers, 5x8x0.5mm (20) (use with ball bearings) ...	\$2.00
2742	Rod ends, long (6)/ hollow ball connectors (6).....	\$4.00
5347	Rod ends, Revo (large) with hollow balls (12).....	\$9.00
3744	Servo saver w/ adapters.....	\$4.00
3742	Shoulder screws, steering bellcranks (3x30mm cap-head machine) (2)/ draglink shoulder screws (chrome) (2).....	\$2.00
3743	Steering bellcranks (l&r)/ draglink.....	\$4.00
3743A	Steering bellcranks, drag link (blue-anodized T6 aluminum)/ 5x8mm ball bearings (4) hardware (assembled).....	\$34.00
3743X	Steering bellcranks, drag link (red-anodized T6 aluminum)/ 5x8mm ball bearings (4) hardware (assembled).....	\$34.00
6845X	Steering bellcranks/ servo saver/ servo saver spring/ servo spring retainer/servo horn, steering.....	\$12.00
1935	Turnbuckles, 36mm (2).....	\$2.00
3139A	Turnbuckles, aluminum (blue-anodized), toe links, 59mm (2) (assembled w/ rod ends & hollow balls) (requires 5mm aluminum wrench #5477).....	\$12.00
3139X	Turnbuckles, aluminum (red-anodized), toe links, 59mm (2) (assembled with rod ends & hollow balls) (requires 5mm aluminum wrench #5477).....	\$12.00
3745	Turnbuckles, toe link, 59mm (78mm center to center) (2) (assembled with rod ends and hollow balls).....	\$8.75
2746	Washers, 3x6mm metal (12).....	\$1.50

Suspension Linkage

5525	Rod ends (12)/ hollow balls (12).....	\$9.00
5347	Rod ends, Revo (large) with hollow balls (12).....	\$9.00
3739	Screw pin set (Rustler/ Bandit/ Stampede).....	\$4.50
5529	Shim set, 3x7x1mm (2), 3x6x0.5mm (4), 3x7x2mm (2)/ hollow balls, captured (4).....	\$3.50
2640	Suspension pins, 44mm (2) w/ E-clips.....	\$2.50
3640	Suspension screw pin set, steel (hex drive) (requires part #2640 for a complete suspension pin set) (Rustler, Stampede, Bandit) ...	\$4.50
3737A	Turnbuckle, aluminum (blue-anodized), camber link, front, 39mm (1)(assembled w/rod ends)/hollow balls (2)(See part 3741A for complete camber link set).....	\$6.00
3737	Turnbuckle, aluminum (red-anodized), camber link, front, 39mm (1) (assembled w/rod ends)/hollow balls (2)(See part 3741X for complete camber link set).....	\$6.00
3741A	Turnbuckles, aluminum (blue-anodized), camber links, front, 39mm (2), rear, 49mm (2) (assembled w/rod ends & hollow balls)/ wrench.....	\$22.00
3139A	Turnbuckles, aluminum (blue-anodized), toe links, 59mm (2) (assembled w/ rod ends & hollow balls) (requires 5mm aluminum wrench #5477).....	\$12.00
3741X	Turnbuckles, aluminum (red-anodized), camber links, front, 39mm (2), rear, 49mm (2) (assembled w/ rod ends & hollow balls)/wrench.....	\$22.00

3139X	Turnbuckles, aluminum (red-anodized), toe links, 59mm (2) (assembled with rod ends & hollow balls) (requires 5mm aluminum wrench #5477).....	\$12.00
3644	Turnbuckles, camber link, 39mm (69mm center to center) (assembled with rod ends and hollow balls) (1 left, 1 right)	\$7.00
3745	Turnbuckles, toe link, 59mm (78mm center to center) (2) (assembled with rod ends and hollow balls)	\$8.75
Team Traxxas Items		
2514	Decal sheet, racing sponsors.....	\$3.00
9950	Official Team Traxxas racing decal set (flag logo/ 6-color).....	\$4.50
9909	Traxxas racing banner, red & black (3x7 feet)	\$15.00
Tires & Wheels		
5116	Ball bearings, blue rubber sealed (5x11x4mm) (2)	\$3.50
5854	Hub retainer, 17mm hubs, M4 X 0.7 (4) (use with #5853X, #6856X, #6469).....	\$8.00
3647	Nuts, 4mm flanged nylon locking (steel, serrated) (8).....	\$3.25
1747R	Nuts, aluminum, flanged, serrated (4mm) (blue-anodized) (4)..	\$7.50
1747G	Nuts, aluminum, flanged, serrated (4mm) (green-anodized) (4)	\$7.50
1985	PTFE-coated washers, 5x8x0.5mm (20) (use with ball bearings) ...	\$2.00
1647	Silicone grease.....	\$2.00
2754	Stub axle pins (4)	\$1.00
5864	Tire & wheel assy, glued (SCT black, orange beadlock wheels, SCT off-road racing tires, foam inserts) (2) (2WD front)	\$28.00
5885A	Tire & wheel assy, glued (SCT Split-Spoke, black, blue beadlock wheels, BFGoodrich® Mud-Terrain™ T/A® KM2 tires, inserts) (2) (2WD Front).....	\$28.00
5883A	Tire & wheel assy, glued (SCT Split-Spoke, black, blue beadlock wheels, BFGoodrich® Mud-Terrain™ T/A® KM2 tire, inserts) (2) (4WD f/r, 2WD rear).....	\$28.00
5880X	Tires & wheels, assembled, glued (SCT satin chrome, beadlock style wheels, Kumho tires, foam inserts) (2) (4WD front/rear, 2WD rear only)	\$25.00
5880	Tires & wheels, assembled, glued (SCT satin chrome, black beadlock style wheels, Kumho tires, foam inserts) (2) (4WD front/rear, 2WD rear only)	\$28.00
5882	Tires & wheels, assembled, glued (SCT Split-Spoke satin chrome, black beadlock style wheels, Kumho tires, foam inserts) (2) (2WD front)	\$28.00
6873X	Tires & wheels, assembled, glued (S1 ultra-soft off-road racing compound) (SCT Split-Spoke satin chrome, black beadlock style wheels, BFGoodrich® Mud-Terrain™ T/A® KM2 tires) (2) (4WD front/rear, 2WD rear only).....	\$28.00
5882R	Tires & wheels, assembled, glued (S1 ultra-soft off-road racing compound) (SCT Split-Spoke satin chrome, black beadlock style wheels, Kumho tires, foam inserts) (2) (2WD front)	\$28.00
5877R	Tires & wheels, assembled, glued (S1 ultra-soft, off-road racing compound) (SCT Split-Spoke chrome, red beadlock style wheels, BFGoodrich® Mud-Terrain™ T/A® KM2 tires) (2) (2WD front)	\$28.00
6873R	Tires & wheels, assembled, glued (S1 ultra-soft, off-road racing compound) (SCT Split-Spoke chrome, red beadlock style wheels, BFGoodrich® Mud-Terrain™ T/A® KM2 tires, foam inserts) (2) (4WD f/r, 2WD rear).....	\$28.00
6874R	Tires & wheels, assembled, glued (S1 ultra-soft off-road racing compound) (SCT Split-Spoke satin chrome, black beadlock style wheels, Kumho tires, foam inserts) (2) (4WD front/rear, 2WD rear only)	\$28.00
5863	Tires & wheels, assembled, glued (SCT black, orange beadlock wheels, SCT off-road racing tire, foam inserts) (2) (4WD f/r, 2WD rear)	\$28.00
5869	Tires & wheels, assembled, glued (SCT chrome, red beadlock style wheels, BFGoodrich® Mud-Terrain™ T/A® KM2 tires, foam inserts) (2) (2WD front)	\$28.00
5867	Tires & wheels, assembled, glued (SCT chrome, red beadlock style wheels, BFGoodrich® Mud-Terrain™ T/A® KM2 tires, foam inserts) (2)(4WD front/rear, 2WD rear only).....	\$28.00
5873R	Tires & wheels, assembled, glued (SCT satin chrome red beadlock wheels, ultra soft S1 compound off-road racing tires, inserts) (2) (2WD rear, 4WD f/r).....	\$28.00
5881X	Tires & wheels, assembled, glued (SCT satin chrome, beadlock style wheels, Kumho tires, foam inserts) (2) (2WD front)	\$25.00
5875	Tires & wheels, assembled, glued (SCT satin chrome, beadlock style wheels, SCT off-road racing tires, foam inserts) (2) (2WD front)	\$25.00
5873	Tires & wheels, assembled, glued (SCT satin chrome, beadlock style wheels, SCT off-road racing tires, foam inserts) (2) (4WD front/rear, 2WD rear only).....	\$25.00
5879	Tires & wheels, assembled, glued (SCT satin chrome, black beadlock style wheels, BFGoodrich® Mud-Terrain™ T/A® KM2 tires, foam inserts) (2) (2WD front)	\$28.00
5878	Tires & wheels, assembled, glued (SCT satin chrome, black beadlock style wheels, BFGoodrich® Mud-Terrain™ T/A® KM2 tires, foam inserts) (2)(4WD front/rear, 2WD rear only).....	\$28.00
5881	Tires & wheels, assembled, glued (SCT satin chrome, black beadlock style wheels, Kumho tires, foam inserts) (2) (2WD front).....	\$28.00
5875X	Tires & wheels, assembled, glued (SCT satin chrome, black beadlock style wheels, SCT off-road racing tires, foam inserts) (2) (2WD front).....	\$28.00
5873X	Tires & wheels, assembled, glued (SCT satin chrome, black beadlock style wheels, SCT off-road racing tires, foam inserts) (2) (4WD front/rear, 2WD rear only)	\$28.00
5875A	Tires & wheels, assembled, glued (SCT satin chrome, red beadlock style wheels, SCT off-road tires, foam inserts) (2) (2WD front).....	\$28.00
5875R	Tires & wheels, assembled, glued (SCT satin chrome, red beadlock wheels, ultra soft S1 compound off-road racing tires, foam inserts) (2) (2WD front).....	\$28.00
5873A	Tires & wheels, assembled, glued (SCT satin chrome, red-beadlock style wheels, SCT off-road tires, foam inserts) (2) (4WD front/rear, 2WD rear only)	\$28.00
6873A	Tires & wheels, assembled, glued (SCT Split-Spoke chrome, red beadlock style wheels, BFGoodrich® Mud-Terrain™ T/A® KM2 tires, foam inserts) (2) (4WD f/r, 2WD rear)	\$28.00
6873	Tires & wheels, assembled, glued (SCT Split-Spoke satin chrome, black beadlock style wheels, BFGoodrich® Mud-Terrain™ T/A® KM2 tires, foam inserts) (2) (4WD f/r, 2WD rear)	\$26.00
6874	Tires & wheels, assembled, glued (SCT Split-Spoke satin chrome, black beadlock style wheels, Kumho tires, foam inserts) (2) (4WD front/rear, 2WD rear only)	\$28.00
5885	Tires & wheels, assembled, glued (SCT Split-Spoke, black, satin chrome beadlock wheels, BFGoodrich® Mud-Terrain™ T/A® KM2 tires, foam inserts) (2) (2WD Front).....	\$28.00
5883	Tires & wheels, assembled, glued (SCT Split-Spoke, black, satin chrome beadlock wheels, BFGoodrich® Mud-Terrain™ T/A® KM2 tire, foam inserts) (2) (4WD f/r, 2WD rear)	\$28.00
5877A	Tires & wheels, assembled, glued (SCT Split-Spoke, chrome red beadlock style wheels, BFGoodrich® Mud-Terrain™ T/A® KM2 tires, foam inserts) (2) (2WD front)	\$28.00
5877	Tires & wheels, assembled, glued (SCT Split-Spoke, satin chrome, black beadlock wheels, BFGoodrich® Mud-Terrain™ T/A® KM2 tires, foam inserts) (2) (2WD front).....	\$26.00
5865	Tires & wheels, assembled, glued (SCT, chrome, green beadlock wheel, BFGoodrich® Mud-Terrain™ T/A® KM2 tire, foam inserts) (2) (2WD front only)	\$28.00
6876	Tires & wheels, assembled, glued (SCT, chrome, green beadlock wheel, BFGoodrich® Mud-Terrain™ T/A® KM2 tire, foam inserts) (2) (4WD front/rear, 2WD rear only).....	\$28.00
6871	Tires, BFGoodrich® Mud-Terrain™ T/A® KM2 (dual profile 4.3x1.7- 2.2/3.0") (2)/ foam inserts (2).....	\$20.00
6871R	Tires, BFGoodrich® Mud-Terrain™ T/A® KM2 , ultra-soft (S1 off-road racing compound) (dual profile 4.3x1.7- 2.2/3.0") (2)/ foam inserts (2).....	\$20.00
6870	Tires, Kumho (dual profile 4.3x1.7- 2.2/3.0") (2) foam inserts (2).....	\$20.00
6870R	Tires, Kumho, ultra-soft (S1 off-road racing compound) (dual profile 4.3x1.7- 2.2/3.0") (2) foam inserts (2)	\$20.00
5871	Tires, off-road racing, SCT dual profile 4.3x1.7- 2.2/3.0" (2) foam inserts (2)	\$20.00
5871R	Tires, Ultra soft, S1 compound for off-road racing, SCT dual profile 4.3x1.7- 2.2/3.0" (2) foam inserts (2)	\$20.00
1654	Wheel hubs, hex (2) stub axle pins (2)	\$2.00
3654	Wheel hubs, hex (tall offset, Rustler/Stampede front) (2)/ axle pins (2.5x10mm) (2)	\$3.00
5853X	Wheel hubs, splined, 17mm, short (2), long (2)/wheel nuts, splined, 17mm (4) (blue-anodized)/ hub retainer M4x0.7 (4)/axle pin (4)/wrench, 5mm.....	\$40.00
5353	Wheel nuts, splined, 17mm (blue-anodized) (4)	\$10.00
5480X	Wheel wrench, splined, 17mm.....	\$3.00
5870X	Wheels, SCT black, orange beadlock style, dual profile (2.2" outer 3.0" inner) (2WD front) (2)	\$11.00
5868X	Wheels, SCT black, orange beadlock style, dual profile (2.2" outer 3.0" inner) (4WD f/r, 2WD rear) (2)	\$11.00
5870	Wheels, SCT chrome, red beadlock style, dual profile (2.2" outer, 3.0" inner) (2WD front) (2)	\$11.00
5868	Wheels, SCT chrome, red beadlock style, dual profile (2.2" outer, 3.0" inner) (4WD front/rear, 2WD rear only) (2)	\$11.00
5874	Wheels, SCT satin chrome, beadlock style, dual profile (2.2" outer, 3.0" inner) (2WD front)	\$8.00
5872	Wheels, SCT satin chrome, beadlock style, dual profile (2.2" outer, 3.0" inner) (4WD front/rear, 2WD rear only).....	\$8.00
5872X	Wheels, SCT satin chrome, black beadlock style SCT, dual profile (2.2" outer, 3.0" inner) (4WD front/rear, 2WD rear only)	\$11.00

If you have questions or need technical assistance, call Traxxas at:

1-888-TRAXXAS

(1-888-872-9927) (U.S. residents only)

For orders, calls outside the U.S., and other information, call 972-549-3000, or fax to 972-549-3011 e-mail Traxxas at support@Traxxas.com

TRAXXAS.COM

5874X	Wheels, SCT satin chrome, black beadlock style, dual profile (2.2" outer, 3.0" inner) (2WD front) (2)	\$11.00
5874A	Wheels, SCT satin chrome, red beadlock style, dual profile (2.2" outer, 3.0" inner) (2WD front) (2)	\$11.00
5872A	Wheels, SCT satin chrome, red beadlock style, dual profile (2.2" outer, 3.0" inner) (4WD front/rear, 2WD rear only) (2)	\$11.00
5886A	Wheels, SCT Split-Spoke, black, blue beadlock style, dual profile (2.2" outer 3.0" inner) (2WD front) (2)	\$11.00
5884A	Wheels, SCT Split-Spoke, black, blue beadlock style, dual profile (2.2" outer 3.0" inner) (4WD f/r, 2WD rear) (2)	\$11.00
5886	Wheels, SCT Split-Spoke, black, satin chrome beadlock style, dual profile (2.2" outer 3.0" inner) (2WD front) (2)	\$11.00
5884	Wheels, SCT Split-Spoke, black, satin chrome beadlock style, dual profile (2.2" outer 3.0" inner) (4WD f/r, 2WD rear) (2)	\$11.00
6872X	Wheels, SCT Split-Spoke, chrome, green beadlock style, dual profile (2.2" outer 3.0" inner) (4WD front/rear, 2WD rear) (2)	\$11.00
5876A	Wheels, SCT Split-Spoke, chrome, red beadlock style, dual profile (2.2" outer 3.0" inner) (2WD front) (2)	\$11.00
6872A	Wheels, SCT Split-Spoke, chrome, red beadlock style, dual profile (2.2" outer 3.0" inner) (4WD front/rear, 2WD rear) (2)	\$11.00
5876	Wheels, SCT Split-Spoke, satin chrome, black beadlock style, dual profile (2.2" outer 3.0" inner) (2WD front) (2)	\$8.00
6872	Wheels, SCT Split-Spoke, satin chrome, black beadlock style, dual profile (2.2" outer 3.0" inner) (4WD front/rear, 2WD rear only) (2)	\$8.00
5866	Wheels, SCT, chrome, green beadlock style, dual profile (2.2" outer 3.0" inner) (2) (2WD front only)	\$11.00
6875	Wheels, SCT, chrome, green beadlock style, dual profile (2.2" outer 3.0" inner) (2) (4WD front/rear, 2WD rear only)	\$11.00

Transmission Components

1552	Backplate screws (3x8mm cap-head machine) (6)/washers (6)/ wrench	\$3.00
4607	Ball bearings (5x11x4mm) (8)	\$24.00
5116	Ball bearings, blue rubber sealed (5x11x4mm) (2)	\$3.50
3792	Dust cover/rubber plug (w/ screws) (telemetry ready)	\$3.50
3691	Gearbox halves (l&r) (black) w/ idler gear shaft	\$8.00
3691A	Gearbox halves (l&r) (grey) w/ idler gear shaft	\$8.00
5148	Grease, white lithium	\$3.00
3696	Idler gear, steel (30-tooth)	\$3.00
3793	Input shaft (slipper shaft) / spring pin	\$3.00
2381X	Main diff with steel ring gear/ side cover plate/ screws (Bandit, Stampede, Rustler)	\$6.00
2382	Planet gears (4)/ planet shafts (4)/ sun gears (2)/sun gear alignment shaft (1) all hardened steel	\$6.00
2388X	Planetary gear differential with steel ring gear (complete) (fits Bandit, Stampede, Rustler)	\$15.00
5552X	Rebuild kit, slipper clutch (steel disc/ friction pads (3)/ spring (2)/ pin/ 4.0mm NL (1)/ 5.0mm NL (1))	\$10.00
2554	Screws, 3x6mm cap-head machine (hex drive) (6)	\$2.50
3931	Screws, 3x8mm flat-head machine (hex drive) (6)	\$2.50
1647	Silicone grease	\$2.00
5556	Slipper pressure plate & hub (aluminum alloy)	\$8.00
3195	Top drive gear, steel (22-tooth)	\$3.00

Turnbuckles & Threaded Rods

5525	Rod ends (12)/ hollow balls (12)	\$9.00
5347	Rod ends, Revo (large) with hollow balls (12)	\$9.00
3737A	Turnbuckle, aluminum (blue-anodized), camber link, front, 39mm (1)(assembled w/rod ends)/hollow balls (2)(See part 3741A for complete camber link set)	\$6.00
3737	Turnbuckle, aluminum (red-anodized), camber link, front, 39mm (1) (assembled w/rod ends)/hollow balls (2)(See part 3741X for complete camber link set)	\$6.00
3741A	Turnbuckles, aluminum (blue-anodized), camber links, front, 39mm (2), rear, 49mm (2) (assembled w/rod ends & hollow balls)/ wrench	\$22.00
3139A	Turnbuckles, aluminum (blue-anodized), toe links, 59mm (2) (assembled w/ rod ends & hollow balls) (requires 5mm aluminum wrench #5477)	\$12.00
3741X	Turnbuckles, aluminum (red-anodized), camber links, front, 39mm (2), rear, 49mm (2) (assembled w/ rod ends & hollow balls)/wrench	\$22.00
3139X	Turnbuckles, aluminum (red-anodized), toe links, 59mm (2) (assembled with rod ends & hollow balls) (requires 5mm aluminum wrench #5477)	\$12.00
3644	Turnbuckles, camber link, 39mm (69mm center to center) (assembled with rod ends and hollow balls) (1 left, 1 right)	\$7.00
3745	Turnbuckles, toe link, 59mm (78mm center to center) (2) (assembled with rod ends and hollow balls)	\$8.75