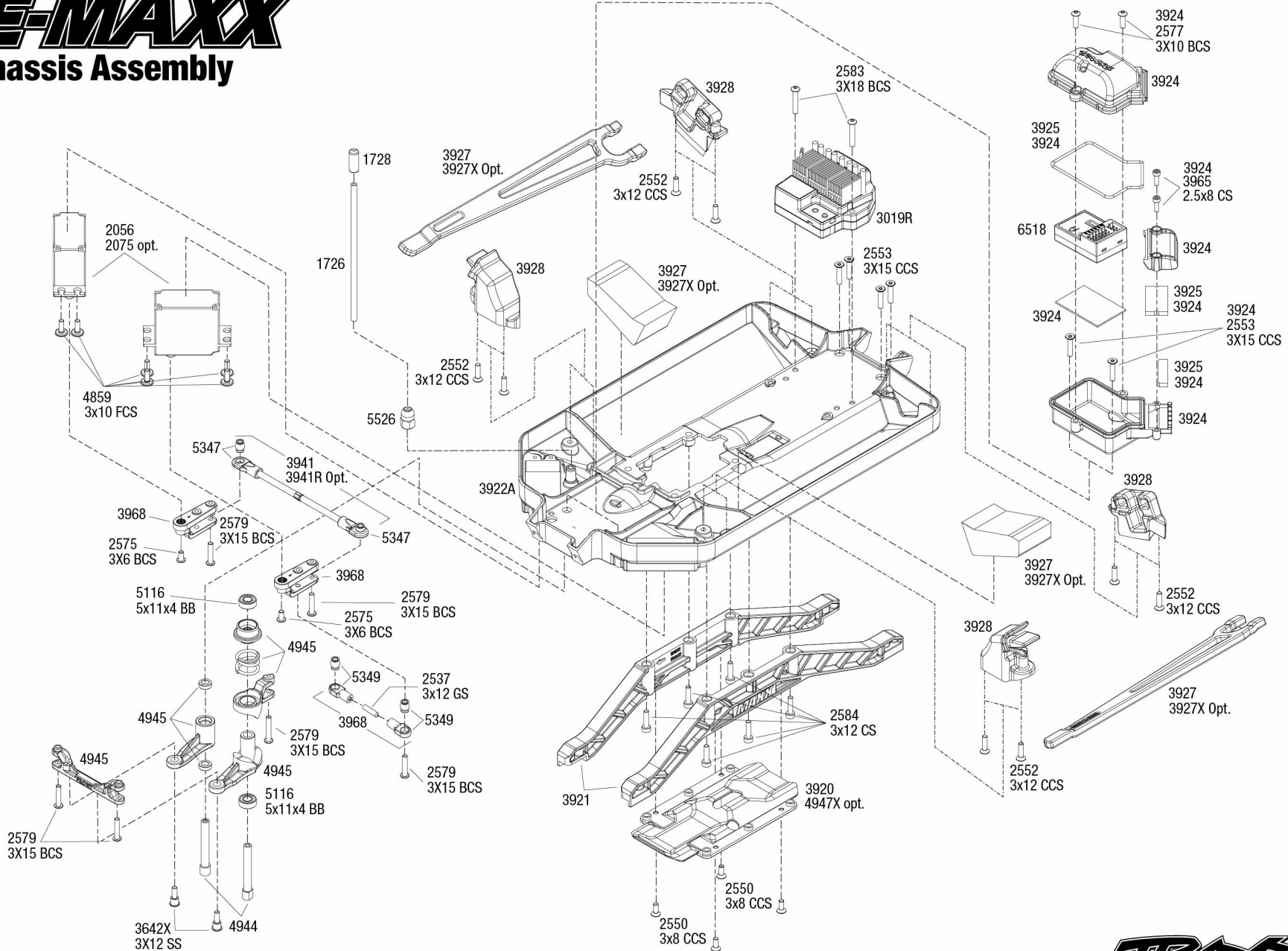


# E-MAXX

## Chassis Assembly



Specifications on this page are subject to change without notice. Every attempt has been made to ensure the accuracy of this drawing, however Traxxas cannot be held responsible for typographical or other errors.

See Parts List for a complete listing of optional accessories.

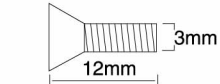
REV 140828-R00

# Driveshaft Assembly

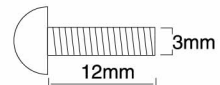
## E-MAXX

# TRAXXAS

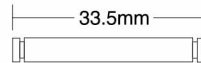
	CCS	Countersunk Cap Screw
	CS	Cap Screw
	FCS	Flathead Cap Screw
	BCS	Buttonhead Cap Screw
	CM	Countersunk Machine Screw
	RM	Roundhead Machine Screw
	WM	Washerhead Machine Screw
	SS	Shoulder Screw
	CST	Countersunk Self-tapping Screw
	RST	Roundhead Self-tapping Screw
	WST	Washerhead Self-tapping Screw
	FN	Flange Nut
	NL	Nylon Locknut
	PB	Plastic Bushing
	GS	Set (Grub) Screw
	PW	Plastic Washer
	AS	Aluminum Spacer
	PTW	PTFE Washer
	MW	Metal Washer
	E	E-Clip
	SW	Split Washer
	BB	Ball Bearing
	OB	Oilite Bushing
	NRB	Needle Roller Bearing
	ELW	External Lock Washer



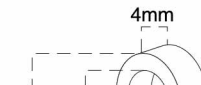
3x12mm Countersunk Machine Screw



3x12mm Roundhead Machine Screw



33.5mm Hinge Pin



3x6x4mm Spacer

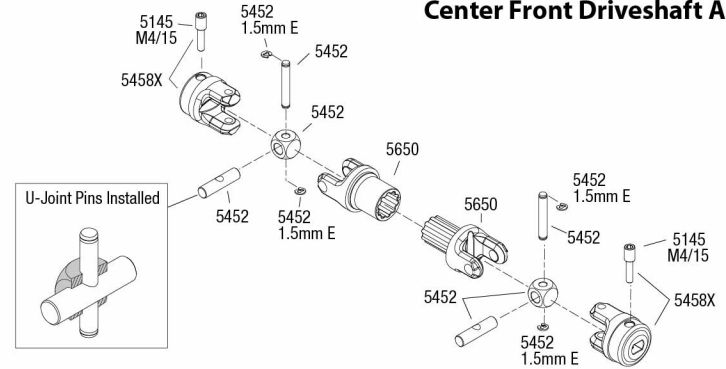
18.5 MM Yoke Pin



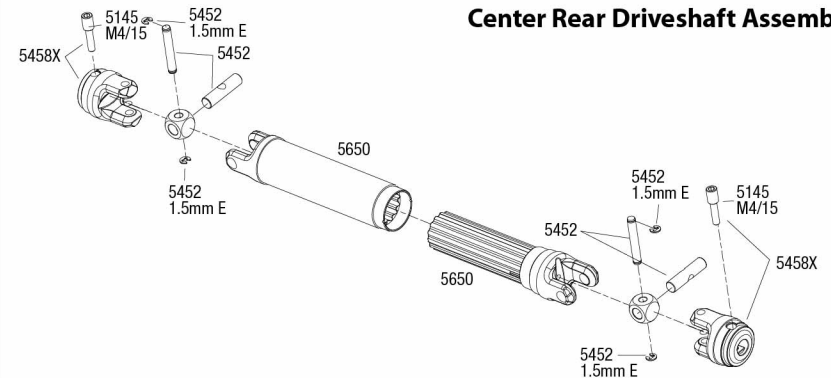
M4/18.5  
4mm Thread Total Length

# Driveshafts

## Center Front Driveshaft Assembly

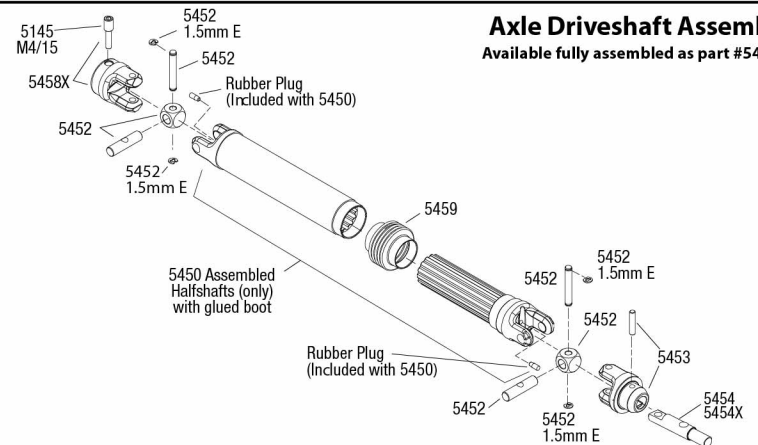


## Center Rear Driveshaft Assembly



## Axle Driveshaft Assembly

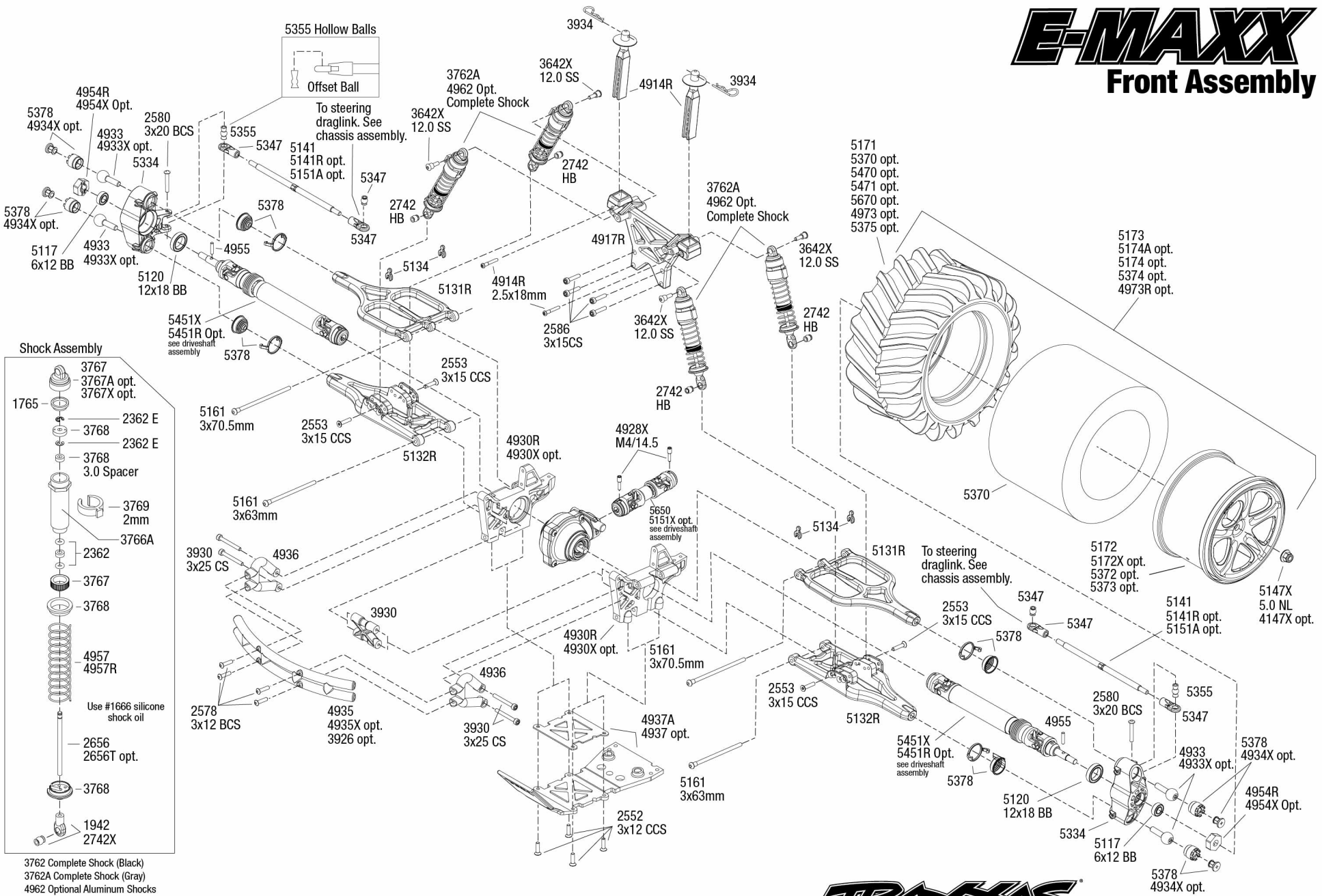
Available fully assembled as part #5451X



Specifications on this page are subject to change without notice. Every attempt has been made to ensure the accuracy of this drawing, however Traxxas cannot be held responsible for typographical or other errors. See Parts List for a complete listing of optional accessories.

# E-MAXX

## Front Assembly



3762 Complete Shock (Black)  
 3762A Complete Shock (Gray)  
 4962 Optional Aluminum Shocks

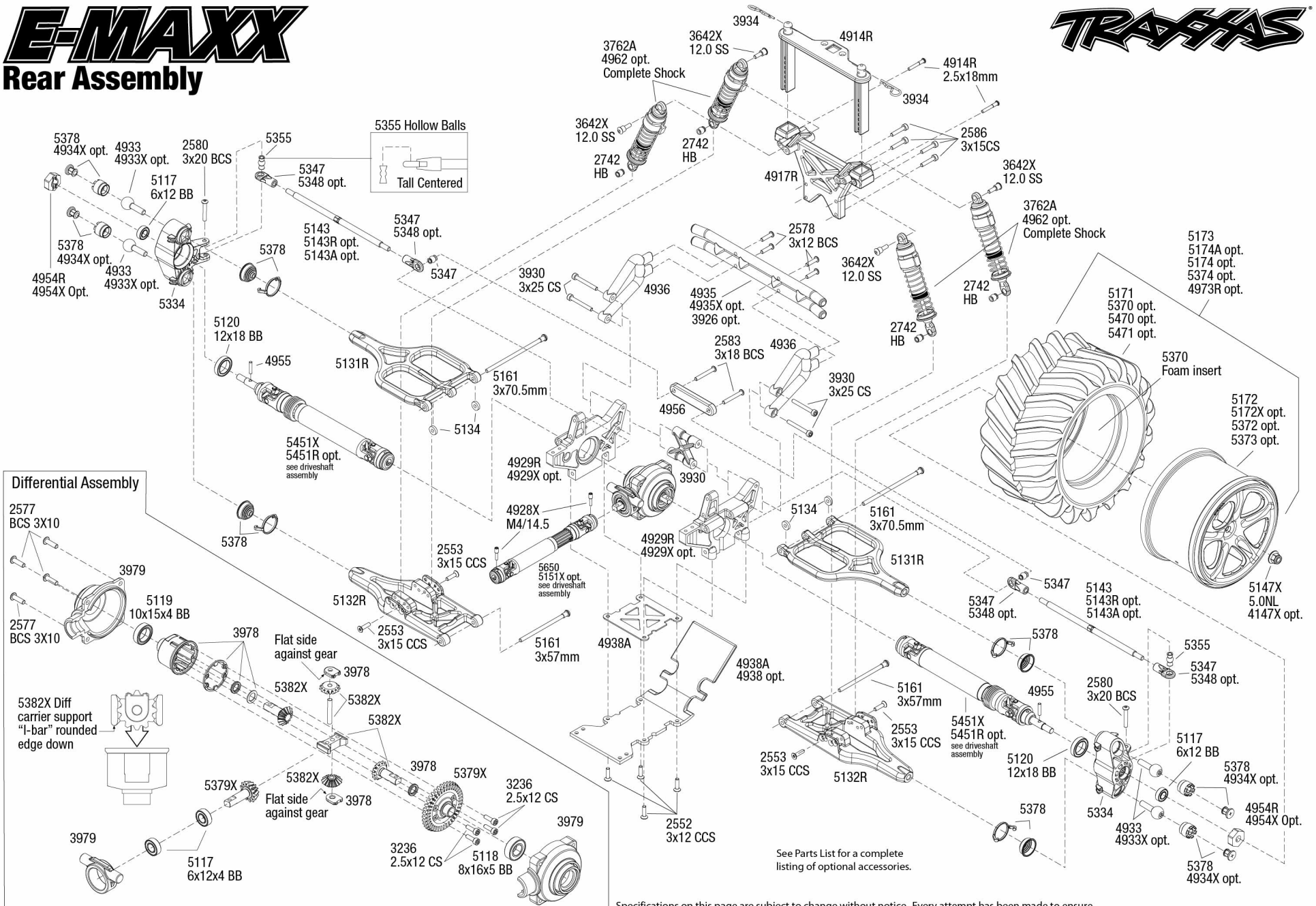
Specifications on this page are subject to change without notice. Every attempt has been made to ensure the accuracy of this drawing, however Traxxas cannot be held responsible for typographical or other errors.

See Parts List for a complete listing of optional accessories.



# E-MAXX

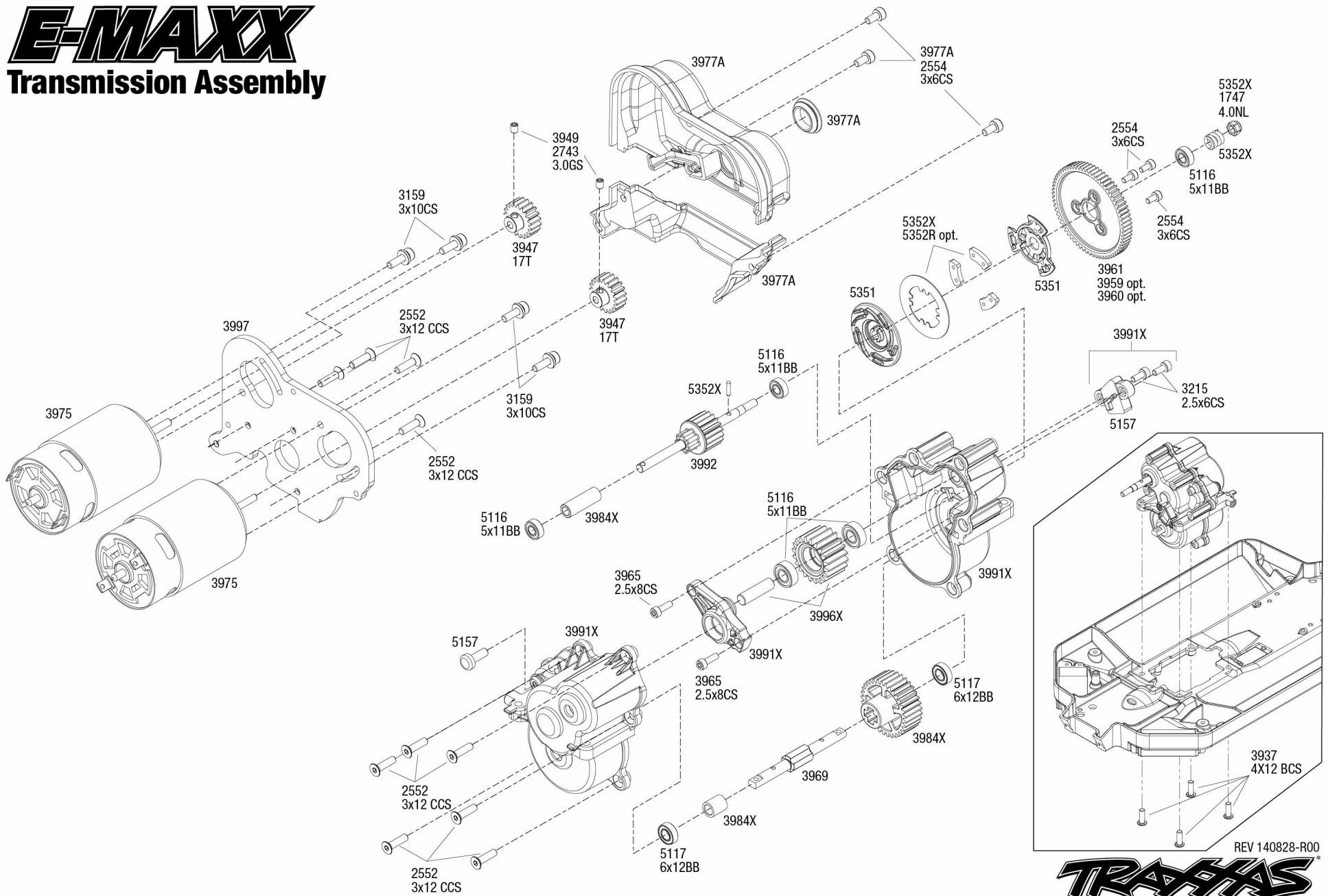
## Rear Assembly



Specifications on this page are subject to change without notice. Every attempt has been made to ensure the accuracy of this drawing, however Traxxas cannot be held responsible for typographical or other errors.

# E-MAXX

## Transmission Assembly



REV 140828-R00



See Parts List for a complete listing of optional accessories.

Specifications on this page are subject to change without notice. Every attempt has been made to ensure the accuracy of this drawing, however Traxxas cannot be held responsible for typographical or other errors.



# E-Maxx (Model 39036-1) Parts List

Parts shown in bold are optional accessories. Part categories and individual part listings are arranged alphabetically. Prices are shown in US Dollars.

## Bearings & Bushings

4612	Ball bearings (10x15x4mm) (2)	\$8.00
4611	Ball bearings (5x11x4mm) (2)	\$6.00
4608	Ball Bearings (5x11x4mm) (6)/ 5x8x2.5mm (8)	\$42.00
2728	Ball bearings (5x8x2.5mm) (2)	\$8.00
4614	Ball bearings (6x12x4mm) (2)	\$6.00
5119	Ball bearings, blue rubber sealed (10x15x4mm) (2)	\$7.00
5120	Ball bearings, blue rubber sealed (12x18x4mm) (2)	\$8.00
5116	Ball bearings, blue rubber sealed (5x11x4mm) (2)	\$3.50
5114	Ball bearings, blue rubber sealed (5x8x2.5mm) (2)	\$4.00
5117	Ball bearings, blue rubber sealed (6x12x4mm) (2)	\$4.00
5180	Ball bearings, blue rubber sealed (6x13x5mm) (2)	\$4.00
5118	Ball bearings, blue rubber sealed (8x16x5mm) (2)	\$6.00
2545	Bellcrank bushings (plastic) (5x8x2.5mm) (4)	\$3.00

## Body & Accessories

1926	Antenna caps, vinyl (2)/ antenna spool	\$2.00
5526	Antenna crimp nut, aluminum (blue-anodized)/ antenna nut tools	\$4.00
5526R	Antenna crimp nut, aluminum (red-anodized)/ antenna nut tools	\$4.00
1726	Antenna, tube (1)/ vinyl antenna cap (1)/ wire retainer (1)	\$1.00
3934	Body clips, heavy duty (12)	\$3.00
4914R	Body mount posts, front (2)/ body mount, rear/ body mount screw pins (4)	\$6.00
3619	Body mounts, front & rear/ body mount posts, front & rear (adjustable)/ 2.5x18mm screw pins (4)	\$9.00
1815	Body washers (8)	\$2.00
4915	Body washers, foam adhesive (10)	\$2.00
6716	Body washers, foam, 2mm (2)/ 3mm (2)/ 4mm (4)	\$2.00
3912	Body, E-Maxx (long wheelbase) (clear, requires painting)/ window, lights decal sheet	\$25.00
3911R	Body, E-Maxx, ProGraphix (long wheelbase) (replacement for painted body. Graphics are painted- requires paint and final color application)/ window, grill, lights decal sheet	\$34.99
3913X	Decal sheet, Flames	\$6.00
2514	Decal sheet, racing sponsors	\$3.00
3914	Decal sheets, E-Maxx (model 3905)	\$11.00
9950	Official Team Traxxas racing decal set (flag logo/ 6-color)	\$4.50
5185	Tires, rubber (2) (fits Traxxas wheelie bar wheels)	\$7.00
4974	Wheelie bar arm (1) connector (1)/ 3x12 SS (hex drive) (4)	\$10.00
4977	Wheelie bar mount (1)	\$7.00
4975	Wheelie bar, assembled (fits all Maxx trucks)	\$20.00
4976	Wheels (4)/ Axles (2), for Maxx wheelie bar	\$4.00
5186A	Wheels, aluminum (blue-anodized) (2)/ 5x8mm ball bearings (4)/ axles (2)/ rubber tires (2)	\$19.95
5186	Wheels, aluminum (red-anodized) (2)/ 5x8mm ball bearings (4)/ axles (2)/ rubber tires (2)	\$19.95

## Bumpers & Skidplates

4936	Bumper mounts, front (l&r)/ bumper mounts, rear (l&r)/ 3x12mm RHM screws (8)	\$3.75
4935X	Bumpers, 6061-T6, brushed aluminum (f&r)	\$35.00
3926	Bumpers, black chrome (f&r)	\$7.00
4935	Bumpers, satin finished (f&r)	\$6.00
4937	Skidplate, front plastic (black)/ stainless steel plate	\$6.00
4937A	Skidplate, front plastic (grey)/ stainless steel plate	\$6.00
4938	Skidplate, rear plastic (black)/ stainless steel plate	\$6.00
4938A	Skidplate, rear plastic (grey)/ stainless steel plate	\$6.00
3920	Skidplate, transmission, nylon (grey)	\$6.00
4974	Wheelie bar arm (1) connector (1)/ 3x12 SS (hex drive) (4)	\$10.00
4977	Wheelie bar mount (1)	\$7.00
4975	Wheelie bar, assembled (fits all Maxx trucks)	\$20.00
4976	Wheels (4)/ Axles (2), for Maxx wheelie bar	\$4.00
5186A	Wheels, aluminum (blue-anodized) (2)/ 5x8mm ball bearings (4)/ axles (2)/ rubber tires (2)	\$19.95
5186	Wheels, aluminum (red-anodized) (2)/ 5x8mm ball bearings (4)/ axles (2)/ rubber tires (2)	\$19.95

## Chassis & Attachments

3924	Box, receiver (sealed)/ foam pad/ silicone grease/2.5x8mm BCS (2)/ 3x10mm CCS (2)/ 3x15mm CCS (2)	\$12.00
3930	Bulkhead cross braces (2)/ 3x25mm CS screws (8)	\$3.50
3921	Chassis braces, lower (black) (2)	\$8.00
3922A	Chassis, E-Maxx (long wheelbase)	\$20.00
3927	Hold downs, battery, left & right (2)/ foam spacers (2) (fits standard battery packs)	\$6.00

3927X	Hold downs, battery, left & right (2)/ foam spacers (4) (allows for installation of taller, multi-cell batteries)	\$6.00
3928	Retainer, battery hold-down, front (2)/ rear (2)/ CCS 3x12 (4)	\$5.00
3925	Seal kit, receiver box (includes o-ring, seals, and silicone grease)	\$4.00
3920	Skidplate, transmission, nylon (grey)	\$6.00
5185	Tires, rubber (2) (fits Traxxas wheelie bar wheels)	\$7.00
4974	Wheelie bar arm (1)/ connector (1)/ 3x12 SS (hex drive) (4)	\$10.00
4977	Wheelie bar mount (1)	\$7.00
4975	Wheelie bar, assembled (fits all Maxx trucks)	\$20.00
4976	Wheels (4)/ Axles (2), for Maxx wheelie bar	\$4.00
5186A	Wheels, aluminum (blue-anodized) (2)/ 5x8mm ball bearings (4)/ axles (2)/ rubber tires (2)	\$19.95
5186	Wheels, aluminum (red-anodized) (2)/ 5x8mm ball bearings (4)/ axles (2)/ rubber tires (2)	\$19.95

## Differential Components

5119	Ball bearings, blue rubber sealed (10x15x4mm) (2)	\$7.00
5117	Ball bearings, blue rubber sealed (6x12x4mm) (2)	\$4.00
5118	Ball bearings, blue rubber sealed (8x16x5mm) (2)	\$6.00
3978	Carrier, differential (heavy duty)/ x-ring gaskets (2)/ ring gear gasket/ bushings (2)/ 6x10x0.5 TW	\$4.25
5614	Differential kit, center (complete for E-Revo & E-Maxx (model 3905)) (assembled with 500K oil) (use only with single speed transmission)	\$39.00
5382X	Gear set, differential (output gears (2)/ spider gears (2)/ spider gear shaft/ diff carrier support)	\$14.00
3979	Housings, differential (left & right)/ pinion collar (1)	\$4.00
5379X	Ring gear, differential/ pinion gear, differential	\$15.00
3236	Screws, 2.5x12mm cap-head machine (6)	\$2.50
2577	Screws, 3x10mm button-head machine (hex drive) (6)	\$2.50
1647	Silicone grease	\$2.00
5381X	Spool, differential (eliminates differential. Use off-road only) (requires #5379X ring gear)	\$12.00

## Driveline Components

5334R	Axle carriers, left & right (1 each) (use with larger 6x13mm ball bearings)/ bearing adapters (for 6x12mm ball bearings) (2)/ dust boot retainers (4)	\$10.00
4928X	Differential output yokes (Heavy-duty) (2)/ set screw yoke pins, M4/10 (2)	\$5.00
5153	Drive cups, inner (2) Revo/Maxx (steel constant-velocity drivshafts)/screw pin, M4/15(2)	\$8.00
5451X	Driveshaft assembly (1), left or right (fully assembled, ready to install)/ 4x15mm screw pin (1)	\$12.00
5188	Driveshaft, steel constant-velocity (shaft only, 112mm)/ drive cup pin (1) (fits rear center shaft on 3905 E-Maxx)	\$8.00
5187	Driveshaft, steel constant-velocity (shaft only, 55mm)/ drive cup pin (1) (fits front center shaft on 3905 E-Maxx)	\$8.00
5154	Driveshaft, steel constant-velocity, Revo/Maxx (shaft only, 128.5mm)/ drive cup pin (1)	\$10.00
5151R	Driveshafts, center E-Maxx (steel constant-velocity) front (1)/ rear (1) (assembled with inner and outer dust boots, for 3905 E-Maxx)	\$40.00
5451R	Driveshafts, Revo/Maxx (steel constant-velocity)(assembled w/inner & outer dust boots) (for models w/sealed pivot ball suspension & 3.8" wheels)(4)	\$80.00
5150	E-clips, 1.5mm (24)	\$1.50
5450	Half shaft set, left or right (plastic parts only) (internal splined half shaft/ external splined half shaft/ rubber boot) (assembled with glued boot) (2 assemblies)	\$7.50
5650	Half shafts, center (internal splined (3)/ external splined (2)) (plastic parts only)	\$6.00
4955	Pins, axle (2.5x12mm) (4)	\$1.00
5129	Rebuild kit (for Revo/Maxx steel constant-velocity drivshafts) (includes pins, dustboots, & lube for 2 drivshafts assemblies)	\$7.00
5145	Screw pin, 4x15mm (6)	\$3.50
5189	Screw pins, 4x13mm (with threadlock) (4)	\$3.50
5454	Stub axle (steel) (2)	\$5.00
5166	Stub axle, (1)/ axle sleeve (1) Revo/Maxx (steel constant-velocity drivshaft)	\$7.50
5452	U-joints, driveshaft (carrier (4)/ 4.5mm cross pin (4)/ 3mm cross pin (4)/ e-clips (20)) (metal parts for 2 drivshafts)	\$10.00
4954R	Wheel hubs, hex (steel)	\$3.00
4954X	Wheel hubs, hex, 6061-T6 aluminum (blue) (4)/ axle pins (2.5x10mm) (4)	\$20.00
5353X	Wheel hubs, splined, 17mm (blue-anodized) (4)/ wheel nuts, splined, 17mm (blue-anodized) (4)/ screw pins, 4x13mm (with threadlock) (4)	\$25.00

<b>5353G</b>	<b>Wheel hubs, splined, 17mm (green-anodized) (4)/ wheel nuts, splined, 17mm (blue-anodized) (4)/ screw pins, 4x13mm (with threadlock) (4) .....</b>	<b>\$25.00</b>
<b>5353R</b>	<b>Wheel hubs, splined, 17mm (red-anodized) (4)/ wheel nuts, splined, 17mm (red-anodized) (4)/ screw pins, 4x13mm (with threadlock) (4) .....</b>	<b>\$25.00</b>
<b>5353</b>	<b>Wheel nuts, splined, 17mm (blue-anodized) (4) .....</b>	<b>\$10.00</b>
<b>5353A</b>	<b>Wheel nuts, splined, 17mm (green-anodized) (4) .....</b>	<b>\$10.00</b>
5458X	Yokes, differential and transmission (2)/ 4x15mm screw pins (2) ...	\$4.00
5453	Yokes, stub axle (2)/ pins (2) .....	\$4.00

**Front Suspension & Steering**

<b>4934X</b>	<b>Aluminum caps, pivot ball (blue-anodized) (4) .....</b>	<b>\$9.00</b>
5334	Axle carriers, left & right (1 each) .....	\$8.00
<b>5334R</b>	<b>Axle carriers, left &amp; right (1 each) (use with larger 6x13mm ball bearings)/ bearing adapters (for 6x12mm ball bearings) (2)/ dust boot retainers (4) .....</b>	<b>\$10.00</b>
<b>2728</b>	<b>Ball bearings (5x8x2.5mm) (2) .....</b>	<b>\$8.00</b>
2545	Bellcrank bushings (plastic) (5x8x2.5mm) (4) .....	\$3.00
4944	Bellcrank posts, aluminum (2)/ steering link threaded rod (3x25mm)/ long rod ends (2) .....	\$7.00
4914R	Body mount posts, front (2)/ body mount, rear/ body mount screw pins (4) .....	\$6.00
3930	Bulkhead cross braces (2)/ 3x25mm CS screws (8) .....	\$3.50
4930R	Bulkheads (l & r) (front) (grey) .....	\$8.00
<b>4930X</b>	<b>Bulkheads, front (machined 6061-T6 aluminum) (blue) (l&amp;r) (requires use of 4939X suspension pins) .....</b>	<b>\$75.00</b>
5134	Caster spacers (4)/ shims (4) .....	\$3.00
5355	Hollow ball, tall centered (2)/ tall offset hollow ball (2)/ bump steer adjustment shims; 3.5mm (2), 1.17mm (2) .....	\$4.75
5378X	Pivot ball caps (4)/ dust boots, rubber (4)/ dust plugs, rubber (4)/ dust boot retainers, black (4), blue (4) (2 pkgs. req. to complete truck) .....	\$6.75
4933	Pivot balls (4)/ pivot ball cap bushings (4) .....	\$6.00
<b>4933X</b>	<b>Pivot balls, hard-anodized 7075-T6 aluminum (4)/ pivot ball cap bushings (4) .....</b>	<b>\$20.00</b>
5347	Rod ends, Revo (large) with hollow balls (12) .....	\$9.00
5349	Rod ends, small, with hollow balls (6) (for Revo steering linkage) ..	\$4.00
3968	Servo horns, steering (2)/ steering link (3x12mm threaded rod (1)/ rod ends (2)/ hollow balls (2) .....	\$6.00
2056	Servo, high-torque, waterproof (blue case) .....	\$34.00
4917R	Shock tower (for rectangular body posts) .....	\$5.00
4945	Steering bellcranks/ servo saver/ servo saver spring/ servo spring retainer (requires 5x11mm BB (2)) .....	\$12.00
3941	Steering drag link (4x72mm turnbuckle) (1)/ rod ends (2)/ hollow balls (2) .....	\$4.50
<b>3941R</b>	<b>Steering drag link (Tubes red-anodized, 7075-T6 aluminum, stronger than titanium) (72mm) (1)/ rod ends (2)/ aluminum 7mm wrench .....</b>	<b>\$12.00</b>
5132R	Suspension arms (lower) (2) (fits all Maxx series) .....	\$7.50
5131R	Suspension arms (upper) (2) (fits all Maxx series) .....	\$7.50
5161	Suspension screw pin set, hardened steel (hex drive) .....	\$9.00
<b>5141A</b>	<b>Toe links, Maxx (Tubes black-anodized, 7075-T6 aluminum, stronger than titanium) (112mm, front) (2)/ rod ends (4)/ aluminum wrench (1) (For Maxx models w/sealed pivot ball suspension &amp; 3.8" wheels) .....</b>	<b>\$25.00</b>
<b>5141R</b>	<b>Toe links, Maxx (Tubes red-anodized, 7075-T6 aluminum, stronger than titanium) (112mm, front) (2)/ rod ends (4)/ aluminum wrench (1) (For Maxx models w/sealed pivot ball suspension &amp; 3.8" wheels) .....</b>	<b>\$25.00</b>
5141	Turnbuckles, toe links (5.0mm steel) (front) (2) .....	\$10.00

**Hardware**

5526	Antenna crimp nut, aluminum (blue-anodized)/ antenna nut tools ..	\$4.00
<b>5526R</b>	<b>Antenna crimp nut, aluminum (red-anodized)/ antenna nut tools .....</b>	<b>\$4.00</b>
3934	Body clips, heavy duty (12) .....	\$3.00
5150	E-clips, 1.5mm (24) .....	\$1.50
<b>5477</b>	<b>Flat wrench, 5mm (blue-anodized aluminum) .....</b>	<b>\$4.00</b>
<b>5478</b>	<b>Flat wrench, 8mm (blue-anodized aluminum) .....</b>	<b>\$4.00</b>
2586	Head screws, 3x15mm cap-head machine (hex drive) (6) (TRX 2.5) .....	\$2.50
5476X	Hex wrenches; 1.5mm, 2mm, 2.5mm, 3mm, 2.5 ball .....	\$6.00
5355	Hollow ball, tall centered (2)/ tall offset hollow ball (2)/ bump steer adjustment shims; 3.5mm (2), 1.17mm (2) .....	\$4.75
<b>5475</b>	<b>Multi-tool (plastic) .....</b>	<b>\$2.50</b>
<b>4147X</b>	<b>Nuts, 5mm flanged nylon locking (aluminum, blue-anodized) (4) .....</b>	<b>\$6.00</b>
5147X	Nuts, 5mm flanged nylon locking (steel, serrated) (8) .....	\$3.50
5347	Rod ends, Revo (large) with hollow balls (12) .....	\$9.00
5349	Rod ends, small, with hollow balls (6) (for Revo steering linkage) ..	\$4.00
3215	Screws, 2.5x6mm cap-head machine (hex drive) (6) .....	\$2.00
3965	Screws, 2.5x8mm cap-head machine (6) .....	\$2.50

2577	Screws, 3x10mm button-head machine (hex drive) (6) .....	\$2.50
4859	Screws, 3x10mm flat-head machine (hex drive) (4) .....	\$1.75
2578	Screws, 3x12mm button-head machine (hex drive) (6) .....	\$2.50
2552	Screws, 3x12mm countersunk machine (6) (hex drive) .....	\$2.50
2579	Screws, 3x15mm button-head machine (hex drive) (6) .....	\$2.50
2553	Screws, 3x15mm countersunk machine (6) (hex drive) .....	\$2.50
2583	Screws, 3x18mm button-head machine (hex drive) (6) .....	\$2.50
2575	Screws, 3x6mm button-head machine (hex drive) (6) .....	\$2.50
2550	Screws, 3x8mm countersunk machine (6) (hex drive) .....	\$2.50
3642X	Shoulder screws, Ultra Shocks (3x12 hex drive) (6) .....	\$3.00
2537	Threaded rods (20/25/44mm 1 ea.)/ (1) 12mm set screw .....	\$2.50

**Motors & Electronics**

3977A	Cover, gear (upper & lower) (1)/ dust plug (1)/ 3x6mm CS (3) .....	\$4.50
<b>3977R</b>	<b>Cover, gear (upper &amp; lower) (1)/ dust plug (1)/ 3x6mm CS (3) (for single motor installation, use with motor plate #3997X) ...</b>	<b>\$4.50</b>
3019R	EVX-2 Electronic Speed Control (land version, low-voltage detection, fwd/rev) .....	\$180.00
<b>2064</b>	<b>Gear set (for 2065 waterproof sub-micro servo) .....</b>	<b>\$4.00</b>
<b>2072</b>	<b>Gear set (for 2070, 2075 servos) .....</b>	<b>\$4.00</b>
3975	Motor, Titan 550 (21-turns/ 14 volts) (1) .....	\$24.00
3997	Plate, motor .....	\$10.00
<b>3997X</b>	<b>Plate, motor (for single motor installation, use gear cover #3977X) .....</b>	<b>\$10.00</b>
3159	Screws, 3x10mm caphead machine (hex drive) (6)/ lockwashers (6)/ hex wrench .....	\$2.75
2565	Screws, 3x18mm roundhead machine (6) .....	\$1.50
2554	Screws, 3x6mm cap-head machine (hex drive) (6) .....	\$2.50
2074	Servo case/gaskets (for 2056 and 2075 waterproof servos) .....	\$6.00
<b>2063</b>	<b>Servo case/gaskets (for 2065 waterproof sub-micro servo) .....</b>	<b>\$5.50</b>
2053	Servo gears (for 2055, 2056 servos) .....	\$4.00
<b>2075</b>	<b>Servo, digital high-torque (ball bearing), waterproof .....</b>	<b>\$46.00</b>
2056	Servo, high-torque, waterproof (blue case) .....	\$34.00
<b>2065</b>	<b>Servo, sub-micro, waterproof .....</b>	<b>\$32.00</b>

**Radio System, Batteries & Chargers**

<b>2869X</b>	<b>7600mAh 7.4v 2-Cell 25C LiPo Battery .....</b>	<b>\$120.00</b>
<b>2976</b>	<b>AC to DC converter, 40W .....</b>	<b>\$32.00</b>
<b>2938</b>	<b>Adapter, Traxxas iD Lipo Battery. (Connects Traxxas iD batteries to LiPo chargers with separate balance ports) .....</b>	<b>\$12.00</b>
1726	Antenna, tube (1)/ vinyl antenna cap (1)/ wire retainer (1) .....	\$1.00
6548	Battery door, TQ 2.4 transmitter (replacement for #6516, 6517, 6528, 6529, 6530 transmitter) .....	\$4.00
<b>2914</b>	<b>Battery, Power Cell AA Alkaline (4) .....</b>	<b>\$3.99</b>
<b>2927X</b>	<b>Charger, A/C, 500 mA (7 cell, NiMH) (includes plug inserts for US/ Japan, European Union, United Kingdom, and Australia) ..</b>	<b>\$25.00</b>
2975	Charger, DC, 4 amp (6 - 7 cell, 7.2 - 8.4 volt, NiMH) .....	\$32.00
<b>2970</b>	<b>Charger, EZ-Peak Plus, 4 amp, LiPo/NiMH with iD Auto Battery Identification .....</b>	<b>\$65.00</b>
<b>6525</b>	<b>Communication link, telemetry expander .....</b>	<b>\$4.00</b>
<b>6541</b>	<b>Connector, power tap (with cable) (long)/ wire tie .....</b>	<b>\$6.00</b>
6512	Cover plate, Traxxas Link Wireless Module .....	\$2.00
3019R	EVX-2 Electronic Speed Control (land version, low-voltage detection, fwd/rev) .....	\$180.00
<b>2064</b>	<b>Gear set (for 2065 waterproof sub-micro servo) .....</b>	<b>\$4.00</b>
<b>2072</b>	<b>Gear set (for 2070, 2075 servos) .....</b>	<b>\$4.00</b>
<b>6556</b>	<b>Mount, telemetry expander (fits XO-1, E-Revo*, Summit*, all Maxx trucks, Revo 3.3, Slayer Pro 4X4) (*requires rear chassis brace #5632) .....</b>	<b>\$10.00</b>
<b>6535</b>	<b>Mount, temperature sensor (electric motors)/ wire tie/ thermal pad .....</b>	<b>\$3.00</b>
6518	Receiver, micro, TQi 2.4GHz with telemetry (5-channel) .....	\$50.00
<b>6552</b>	<b>Seal kit, expander box (includes o-ring, seals, and silicone grease) .....</b>	<b>\$4.00</b>
<b>6526</b>	<b>Sensor, auto-detectable, temperature .....</b>	<b>\$14.00</b>
<b>6527</b>	<b>Sensor, auto-detectable, voltage .....</b>	<b>\$14.00</b>
<b>6522</b>	<b>Sensor, RPM (short)/ 3x4mm BCS (2) .....</b>	<b>\$12.00</b>
<b>6521</b>	<b>Sensor, temperature and voltage (long) .....</b>	<b>\$12.00</b>
2074	Servo case/gaskets (for 2056 and 2075 waterproof servos) .....	\$6.00
<b>2063</b>	<b>Servo case/gaskets (for 2065 waterproof sub-micro servo) .....</b>	<b>\$5.50</b>
2053	Servo gears (for 2055, 2056 servos) .....	\$4.00
<b>2075</b>	<b>Servo, digital high-torque (ball bearing), waterproof .....</b>	<b>\$46.00</b>
2056	Servo, high-torque, waterproof (blue case) .....	\$34.00
<b>2065</b>	<b>Servo, sub-micro, waterproof .....</b>	<b>\$32.00</b>
<b>6550</b>	<b>Telemetry expander, TQi radio system .....</b>	<b>\$35.00</b>
<b>6551</b>	<b>Telemetry GPS module, TQi radio system .....</b>	<b>\$100.00</b>
<b>6538</b>	<b>Telemetry trigger magnet holders, spur gear/ magnet, 5x2mm (1)/ 3x8mm CCS (3)/ 3x10mm CCS (3) .....</b>	<b>\$3.00</b>
<b>6540</b>	<b>Telemetry trigger magnet, 5X2mm (1) .....</b>	<b>\$2.00</b>
6509X	TQi 2.4 GHz radio system, 2-channel Traxxas Link enabled (2-ch transmitter, 5-ch micro receiver) .....	\$135.00
<b>6507X</b>	<b>TQi 2.4 GHz radio system, 4-channel with Traxxas Link Wireless Module (4-ch transmitter, 5-ch micro receiver) .....</b>	<b>\$200.00</b>

6528	Transmitter, TQi Traxxas Link enabled, 2.4GHz high output, 2-channel (transmitter only).....	\$100.00
6529	Transmitter, TQi Traxxas Link enabled, 2.4GHz high output, 3-channel (transmitter only).....	\$105.00
6530	Transmitter, TQi Traxxas Link enabled, 2.4GHz high output, 4-channel (transmitter only).....	\$115.00
6511	Traxxas Link Wireless Module.....	\$45.00
6537	Wire retainers, gear cover/ 3x4mm BCS (2).....	\$3.00

**Ready-To-Race Model**

39036-1	E-Maxx: 1/10 Scale Electric 4WD Monster Truck with TQi Traxxas Link Enabled 2.4GHz Radio System.....	Call
---------	--	------

**Rear Suspension**

4934X	Aluminum caps, pivot ball (blue-anodized) (4).....	\$9.00
5334	Axle carriers, left & right (1 each).....	\$8.00
5334R	Axle carriers, left & right (1 each) (use with larger 6x13mm ball bearings)/ bearing adapters (for 6x12mm ball bearings) (2)/ dust boot retainers (4).....	\$10.00
5120	Ball bearings, blue rubber sealed (12x18x4mm) (2).....	\$8.00
5117	Ball bearings, blue rubber sealed (6x12x4mm) (2).....	\$4.00
4914R	Body mount posts, front (2)/ body mount, rear/ body mount screw pins (4).....	\$6.00
3930	Bulkhead cross braces (2)/ 3x25mm CS screws (8).....	\$3.50
4929R	Bulkheads (l & r) (rear) (grey).....	\$8.00
4929X	Bulkheads, rear (machined 6061-T6 aluminum) (blue)(l&r) (requires use of 4939X suspension pins).....	\$75.00
5134	Caster spacers (4)/ shims (4).....	\$3.00
5355	Hollow ball, tall centered (2)/ tall offset hollow ball (2)/ bump steer adjustment shims; 3.5mm (2), 1.17mm (2).....	\$4.75
5378X	Pivot ball caps (4)/ dust boots, rubber (4)/ dust plugs, rubber (4)/ dust boot retainers, black (4), blue (4) (2 pkgs. req. to complete truck).....	\$6.75
4933	Pivot balls (4)/ pivot ball cap bushings (4).....	\$6.00
4933X	Pivot balls, hard-anodized 7075-T6 aluminum (4)/ pivot ball cap bushings (4).....	\$20.00
5347	Rod ends, Revo (large) with hollow balls (12).....	\$9.00
5348	Rod ends, Revo (large, for rear toe link only) (4).....	\$2.00
2553	Screws, 3x15mm countersunk machine (6) (hex drive).....	\$2.50
4917R	Shock tower (for rectangular body posts).....	\$5.00
5132R	Suspension arms (lower) (2) (fits all Maxx series).....	\$7.50
5131R	Suspension arms (upper) (2) (fits all Maxx series).....	\$7.50
4956	Tie bar, rear (1) /3x18mm BCS (2) (fits all Maxx trucks).....	\$3.00
5143A	Toe links, Maxx (Tubes black-anodized, 7075-T6 aluminum, stronger than titanium) (124mm, rear) (2)/ rod ends (4)/ aluminum wrench (1) (For Maxx models w/sealed pivot ball suspension & 3.8" wheels).....	\$25.00
5143R	Toe links, Maxx (Tubes red-anodized, 7075-T6 aluminum, stronger than titanium) (124mm, rear) (2)/ rod ends (4)/ aluminum wrench (1) (For Maxx models w/sealed pivot ball suspension & 3.8" wheels).....	\$25.00
5143	Turnbuckles, toe links (5.0mm steel) (rear) (2).....	\$10.00

**Shocks (Pro-level Aluminum)**

2666	Big Bore shock cylinder (XX-long) (1).....	\$8.00
2662	Big Bore shocks (XX-long) (hard-anodized & PTFE-coated T6 aluminum) (assembled with TiN shafts) w/o springs (rear) (2).....	\$30.00
4962	Big Bore shocks (xx-long) (hard-anodized & PTFE-coated T6 aluminum) (assembled) w/ red springs, TiN shafts (8 pack).....	\$99.99
2669	Piston head set (2-hole (2)/ 3-hole (2))/ shock mounting bushings & washers (2) (Big Bore Shocks).....	\$2.50
2362	Rebuild kit, Ultra shocks (for 2 shocks).....	\$2.50
1942	Rod ends (16 long & 4 short)/ hollow ball connectors (18)/ ball screws (2).....	\$7.00
3962	Set (grub) screws, 3x25mm (8)/ 3mm nylon locknuts (8).....	\$3.50
2667	Shock caps, aluminum (2)/ (Big Bore Shocks).....	\$7.00
2656T	Shock shafts, hardened steel, titanium nitride coated (xx-long) (2).....	\$10.00
2656	Shock shafts, steel, chrome finish (xx-long) (2).....	\$3.00
1765	Silicone diaphragms (4).....	\$2.00
1666	Silicone shock oil (30 wt).....	\$2.00
2668	Spring retainers, upper & lower (2)/ spring pre-load spacers: 1mm (4)/ 1.5mm (2)/ 2mm (2)/ 4mm (2)/ 8mm (2) (Big Bore Shocks).....	\$5.50
4649R	Springs, red (for big bore shocks) (2.5 rate) (2).....	\$2.50

**Shocks (Ultra Shocks)**

3766A	Body, Ultra Shock(s) (XXL) (grey) (2).....	\$3.00
2362	Rebuild kit, Ultra shocks (for 2 shocks).....	\$2.50
2742X	Rod ends, short (6)/ hollow balls (6).....	\$4.00
3767	Shock caps (2)/ shock bottoms (2).....	\$3.00
3767A	Shock caps, aluminum (blue-anodized) (4) (fits all Ultra Shocks).....	\$14.00

3767G	Shock caps, aluminum (green-anodized) (4) (fits all Ultra Shocks).....	\$14.00
3767X	Shock caps, aluminum (red-anodized) (4) (fits all Ultra Shocks).....	\$14.00
2656T	Shock shafts, hardened steel, titanium nitride coated (xx-long) (2).....	\$10.00
2656	Shock shafts, steel, chrome finish (xx-long) (2).....	\$3.00
3642X	Shoulder screws, Ultra Shocks (3x12 hex drive) (6).....	\$3.00
1765	Silicone diaphragms (4).....	\$2.00
1666	Silicone shock oil (30 wt).....	\$2.00
3769	Spring pre-load spacers: 1mm (4)/ 2mm (2)/ 4mm (2)/ 8mm (2).....	\$4.00
3768	Spring retainers, upper & lower (2)/ piston head set (2-hole (2)/ 3-hole (2)).....	\$3.00
4957R	Springs, progressive rate (for Ultra-Shocks only) (progressive rate) (f/r) (4).....	\$8.00
4957	Springs, red (for Ultra Shocks only) (2.5 rate) (f/r) (2).....	\$2.50
3762	Ultra Shocks (black) (xx-long) (complete w/ spring pre-load spacers & springs) (rear) (2).....	\$18.00
3762A	Ultra Shocks (grey) (xx-long) (complete w/ spring pre-load spacers & springs) (rear) (2).....	\$18.00

**Slipper Clutch Components**

5116	Ball bearings, blue rubber sealed (5x11x4mm) (2).....	\$3.50
5478	Flat wrench, 8mm (blue-anodized aluminum).....	\$4.00
3980	Glow plug wrench (universal wrench).....	\$2.00
1747	Nuts, 4mm nylon locking (10).....	\$2.00
5352R	Rebuild kit (heavy duty), slipper clutch (steel disc/ aluminum friction pads (3)/ spring, Revo (1)/ spring, Maxx (1)/ 2x9.8mm pin/ 5x8mm MW/ 5.0mm NL (1)/ 4.0mm NL (1)).....	\$9.50
5352X	Rebuild kit, slipper clutch (steel disc/ friction pads (3)/ spring (2)/ 2x9.8mm pin/ 5x8mm MW/ 5.0mm NL (1)/ 4.0mm NL (1)).....	\$7.50
2554	Screws, 3x6mm cap-head machine (hex drive) (6).....	\$2.50
5351	Slipper pressure plate and hub (alloy).....	\$8.00

**Spur Gears & Pinion Gears**

3942	Gear, 12-T pinion (32-p) (mach. steel)/ set screw.....	\$3.25
3943	Gear, 13-T pinion (32-p) (mach. steel)/ set screw.....	\$3.25
3944	Gear, 14-T pinion (32-p) (mach. steel)/ set screw.....	\$3.25
3945	Gear, 15-T pinion (32-p) (mach. steel)/ set screw.....	\$3.25
3946	Gear, 16-T pinion (32-p) (mach. steel)/ set screw.....	\$3.25
3947	Gear, 17-T pinion (32-p) (mach. steel)/ set screw.....	\$3.25
3948	Gear, 18-T pinion (32-p) (mach. steel)/ set screw.....	\$3.50
3949	Gear, 19-T pinion (32-p) (mach. steel)/ set screw.....	\$3.50
3950	Gear, 20-T pinion (32-p) (mach. steel)/ set screw.....	\$3.50
3951	Gear, 21-T pinion (32-p) (mach. steel)/ set screw.....	\$3.50
3952	Gear, 22-T pinion (32-p) (mach. steel)/ set screw.....	\$3.50
3959	Spur gear, 62-tooth (0.8 metric pitch, compatible with 32-pitch).....	\$3.00
3960	Spur gear, 65-tooth (0.8 metric pitch, compatible with 32-pitch).....	\$3.00
3961	Spur gear, 68-tooth (0.8 metric pitch, compatible with 32-pitch).....	\$3.00

**Steering Components**

2728	Ball bearings (5x8x2.5mm) (2).....	\$8.00
5116	Ball bearings, blue rubber sealed (5x11x4mm) (2).....	\$3.50
5114	Ball bearings, blue rubber sealed (5x8x2.5mm) (2).....	\$4.00
2545	Bellcrank bushings (plastic) (5x8x2.5mm) (4).....	\$3.00
4944	Bellcrank posts, aluminum (2)/ steering link threaded rod (3x25mm)/ long rod ends (2).....	\$7.00
5347	Rod ends, Revo (large) with hollow balls (12).....	\$9.00
5349	Rod ends, small, with hollow balls (6) (for Revo steering linkage).....	\$4.00
3968	Servo horns, steering (2)/ steering link (3x12mm threaded rod (1)/ rod ends (2)/ hollow balls (2).....	\$6.00
2075	Servo, digital high-torque (ball bearing), waterproof.....	\$46.00
2056	Servo, high-torque, waterproof (blue case).....	\$34.00
4945	Steering bellcranks/ servo saver/ servo saver spring/ servo spring retainer (requires 5x11mm BB (2)).....	\$12.00
3941	Steering drag link (4x72mm turnbuckle) (1)/ rod ends (2)/ hollow balls (2).....	\$4.50
3941R	Steering drag link (Tubes red-anodized, 7075-T6 aluminum, stronger than titanium) (72mm) (1)/ rod ends (2)/ aluminum 7mm wrench.....	\$12.00
2537	Threaded rods (20/25/44mm 1 ea.) (1) 12mm set screw.....	\$2.50

**Suspension Linkage**

5134	Caster spacers (4)/ shims (4).....	\$3.00
5355	Hollow ball, tall centered (2)/ tall offset hollow ball (2)/ bump steer adjustment shims; 3.5mm (2), 1.17mm (2).....	\$4.75
5347	Rod ends, Revo (large) with hollow balls (12).....	\$9.00
5349	Rod ends, small, with hollow balls (6) (for Revo steering linkage).....	\$4.00
2553	Screws, 3x15mm countersunk machine (6) (hex drive).....	\$2.50
3642X	Shoulder screws, Ultra Shocks (3x12 hex drive) (6).....	\$3.00
5161	Suspension screw pin set, hardened steel (hex drive).....	\$9.00



5141A	Toe links, Maxx (Tubes black-anodized, 7075-T6 aluminum, stronger than titanium) (112mm, front) (2)/ rod ends (4)/ aluminum wrench (1) (For Maxx models w/sealed pivot ball suspension & 3.8" wheels).....	\$25.00
5143A	Toe links, Maxx (Tubes black-anodized, 7075-T6 aluminum, stronger than titanium) (124mm, rear) (2)/ rod ends (4)/ aluminum wrench (1) (For Maxx models w/sealed pivot ball suspension & 3.8" wheels).....	\$25.00
5141R	Toe links, Maxx (Tubes red-anodized, 7075-T6 aluminum, stronger than titanium) (112mm, front) (2)/ rod ends (4)/ aluminum wrench (1) (For Maxx models w/sealed pivot ball suspension & 3.8" wheels).....	\$25.00
5143R	Toe links, Maxx (Tubes red-anodized, 7075-T6 aluminum, stronger than titanium) (124mm, rear) (2)/ rod ends (4)/ aluminum wrench (1) (For Maxx models w/sealed pivot ball suspension & 3.8" wheels).....	\$25.00
5141	Turnbuckles, toe links (5.0mm steel) (front) (2) .....	\$10.00
5143	Turnbuckles, toe links (5.0mm steel) (rear) (2).....	\$10.00

**Team Traxxas Items**

2514	Decal sheet, racing sponsors.....	\$3.00
9950	Official Team Traxxas racing decal set (flag logo/ 6-color).....	\$4.50
9909	Traxxas racing banner, red & black (3x7 feet) .....	\$15.00

**Tires & Wheels**

5117	Ball bearings, blue rubber sealed (6x12x4mm) (2) .....	\$4.00
4147X	Nuts, 5mm flanged nylon locking (aluminum, blue-anodized) (4) .....	\$6.00
5147X	Nuts, 5mm flanged nylon locking (steel, serrated) (8).....	\$3.50
4955	Pins, axle (2.5x12mm) (4) .....	\$1.00
5666	Sidewall protector, beadlock style (blue) (2)/ 2.5x8mm CS (24) (for use with Geode wheels) .....	\$7.00
5664	Sidewall protector, beadlock style (green) (2)/ 2.5x8mm CS (24) (for use with Geode wheels) .....	\$7.00
5667	Sidewall protector, beadlock style (red) (2)/ 2.5x8mm CS (24) (for use with Geode wheels).....	\$7.00
5665	Sidewall protector, beadlock style (yellow) (2)/ 2.5x8mm CS (24) (for use with Geode wheels) .....	\$7.00
5374A	Tires & wheels, assembled, glued (Gemini black chrome wheels, Talon tires, foam inserts) (2).....	\$40.00
5374X	Tires & wheels, assembled, glued (Gemini black chrome wheels, Talon tires, foam inserts) (2) (use with 17mm splined wheel hubs & nuts, part #5353X) .....	\$40.00
5374	Tires & wheels, assembled, glued (Gemini chrome wheels, Talon tires, foam inserts) (2) (also fits Maxx series).....	\$39.00
5674	Tires & wheels, assembled, glued (Geode chrome wheels, Maxx tires (6.3" outer diameter), foam inserts) (2) (use with 17mm splined wheel hubs & nuts, part #5353X & beadlock-style sidewall protectors, part #5665, 5666, 5667) .....	\$41.00
4973R	Tires & wheels, assembled, glued (Hurricane chrome wheels, Maxx tires (6.3" outer diameter), foam inserts) (2) (fits Revo/Maxx series).....	\$41.00
5174A	Tires & wheels, assembled, glued (Split-Spoke satin-finish wheels, Talon tires, foam inserts) (2) (fits Maxx w/sealed pivot ball suspension & Revo) .....	\$39.00
4983A	Tires & wheels, assembled, glued (SS (Split Spoke) black chrome wheels, Maxx tires (6.3" outer diameter), foam inserts) (2) (fits Maxx/Revo series) .....	\$42.00
5173	Tires & wheels, assembled, glued (SS (Split Spoke) chrome wheels, Maxx tires, foam inserts) (2) (fits Maxx/Revo series).....	\$39.00
5174	Tires & wheels, assembled, glued (SS (Split Spoke) chrome wheels, Talon tires, foam inserts) (2) (fits Maxx/Revo series) ..	\$39.00
5174R	Tires & wheels, assembled, glued (SS (Split Spoke) chrome wheels, Talon tires, foam inserts) (2) (use w/17mm splined wheel hubs & nuts, part #5353X) .....	\$39.00
5375R	Tires & wheels, assembled, glued (white dished 3.8" wheels, Response Pro tires, foam inserts) (2) (use with 17mm splined wheel hubs and wheel nuts, part #5353X).....	\$47.00
5670	Tires, Canyon AT 3.8" (2) foam inserts (2) .....	\$40.00
4973	Tires, Maxx 3.8" (6.3" outer diameter (160mm)) (2) (fits Revo/Maxx series).....	\$32.00
5171	Tires, Maxx Chevron 3.8" (2) (fits Revo/Maxx series).....	\$30.00
5375	Tires, Response Pro 3.8" (soft-compound, narrow profile, short knobby design)/ foam inserts (2) .....	\$32.00
5471	Tires, Response racing 3.8" (soft-compound, narrow profile, short knobby design)/ foam inserts (2) .....	\$30.00
5470	Tires, SportTraxx racing 3.8" (soft compound, directional and asymmetrical tread design)/ foam inserts (2).....	\$35.00
5370	Tires, Talon 3.8" (2) foam inserts (2).....	\$30.00
4954R	Wheel hubs, hex (steel).....	\$3.00
4954X	Wheel hubs, hex, 6061-T6 aluminum (blue) (4)/ axle pins (2.5x10mm) (4) .....	\$20.00
5353X	Wheel hubs, splined, 17mm (blue-anodized) (4)/ wheel nuts, splined, 17mm (blue-anodized) (4)/ screw pins, 4x13mm (with threadlock) (4) .....	\$25.00

5353G	Wheel hubs, splined, 17mm (green-anodized) (4)/ wheel nuts, splined, 17mm (blue-anodized) (4)/ screw pins, 4x13mm (with threadlock) (4).....	\$25.00
5353R	Wheel hubs, splined, 17mm (red-anodized) (4)/ wheel nuts, splined, 17mm (red-anodized) (4)/ screw pins, 4x13mm (with threadlock) (4).....	\$25.00
5353	Wheel nuts, splined, 17mm (blue-anodized) (4) .....	\$10.00
5353A	Wheel nuts, splined, 17mm (green-anodized) (4).....	\$10.00
5371	Wheels, dished 3.8" (white) (2) (use with 17mm splined wheel hubs and wheel nuts, part #5353X) .....	\$12.00
5372A	Wheels, Gemini 3.8" (black chrome) (2).....	\$12.00
5372X	Wheels, Gemini 3.8" (black chrome) (2) (use with 17mm splined wheel hubs & nuts, part #5353X) .....	\$12.00
5372	Wheels, Gemini 3.8" (chrome) (2) (also fits Maxx series).....	\$11.00
5671	Wheels, Geode 3.8" (chrome) (2) (use with 17mm splined wheel hubs & nuts, part #5353X & beadlock-style sidewall protectors, part #5665, 5666, 5667) .....	\$12.00
5373	Wheels, Hurricane 3.8" (chrome) (2) (also fits Maxx series) .....	\$11.00
5172A	Wheels, SS (split spoke) 3.8" (black chrome) (2) (use with 17mm splined wheel hubs & nuts, part #5353X) (fits Revo/Maxx series).....	\$11.00
5172X	Wheels, SS (split spoke) 3.8" (chrome) (2) (fits Revo/Maxx series) .....	\$11.00
5172R	Wheels, SS (split spoke) 3.8" (chrome) (2) (use with 17mm splined wheel hubs & nuts, part #5353X) (fits Revo/Maxx series) .....	\$10.00
5172	Wheels, SS (split spoke) 3.8" (satin) (2) (fits Revo/Maxx series) .....	\$10.00

**Transmission Components**

5116	Ball bearings, blue rubber sealed (5x11x4mm) (2) .....	\$3.50
5117	Ball bearings, blue rubber sealed (6x12x4mm) (2) .....	\$4.00
5157	Cover plates and seals, forward only conversion (Revo) (Optidrive blank-out plate, Optidrive sensor cover, shift fork cover) .....	\$2.50
3977A	Cover, gear (upper & lower) (1)/ dust plug (1)/ 3x6mm CS (3).....	\$4.50
3977R	Cover, gear (upper & lower) (1)/ dust plug (1)/ 3x6mm CS (3) (for single motor installation, use with motor plate #3997X) .....	\$4.50
3973	Gear set, close ratio (1st speed gear 21T, 18T input gear).....	\$6.00
3974	Gear set, wide ratio (1st speed gear 26T, 13T input gear).....	\$6.00
3991X	Gearbox halves (front & rear)/ shift detent ball/ spring/ 4mm GS/ shift shaft seal, glued/ 2.5x8mm CS (2) .....	\$10.00
3976	Idler gear, 13T (1st speed gear).....	\$6.00
3996X	Idler gear, 20-tooth/ idler gear shaft.....	\$5.50
3992	Input shaft/ drive gear assembly (18-tooth steel top gear).....	\$10.00
3988X	Linkage, shift (includes: ball cup, servo horn with built-in spring, linkage wire, and hardware).....	\$5.00
3984X	Output gear, 33-tooth (1)/ spacers (2) .....	\$3.00
3985X	Output gears, 33T (2)/ drive dog carrier/ output shaft spacer .....	\$6.00
3969	Output shaft, transmission.....	\$7.50
3965	Screws, 2.5x8mm cap-head machine (6) .....	\$2.50
2552	Screws, 3x12mm countersunk machine (6) (hex drive) .....	\$2.50
3989X	Shift fork/ shaft.....	\$8.00
1647	Silicone grease.....	\$2.00
3998	Two Speed Conversion Kit (E-Maxx) (includes wide and close ratio first gear sets, sub-micro servo, and linkage) .....	\$55.00

**Turnbuckles & Threaded Rods**

5347	Rod ends, Revo (large) with hollow balls (12).....	\$9.00
5349	Rod ends, small, with hollow balls (6) (for Revo steering linkage) ..	\$4.00
3968	Servo horns, steering (2)/ steering link (3x12mm threaded rod (1)/ rod ends (2)/ hollow balls (2) .....	\$6.00
3941	Steering drag link (4x72mm turnbuckle) (1)/ rod ends (2)/ hollow balls (2) .....	\$4.50
3941R	Steering drag link (Tubes red-anodized, 7075-T6 aluminum, stronger than titanium) (72mm) (1)/ rod ends (2)/ aluminum 7mm wrench .....	\$12.00
2537	Threaded rods (20/25/44mm 1 ea.)/ (1) 12mm set screw .....	\$2.50
5141A	Toe links, Maxx (Tubes black-anodized, 7075-T6 aluminum, stronger than titanium) (112mm, front) (2)/ rod ends (4)/ aluminum wrench (1) (For Maxx models w/sealed pivot ball suspension & 3.8" wheels).....	\$25.00
5143A	Toe links, Maxx (Tubes black-anodized, 7075-T6 aluminum, stronger than titanium) (124mm, rear) (2)/ rod ends (4)/ aluminum wrench (1) (For Maxx models w/sealed pivot ball suspension & 3.8" wheels).....	\$25.00
5141R	Toe links, Maxx (Tubes red-anodized, 7075-T6 aluminum, stronger than titanium) (112mm, front) (2)/ rod ends (4)/ aluminum wrench (1) (For Maxx models w/sealed pivot ball suspension & 3.8" wheels) .....	\$25.00
5143R	Toe links, Maxx (Tubes red-anodized, 7075-T6 aluminum, stronger than titanium) (124mm, rear) (2)/ rod ends (4)/ aluminum wrench (1) (For Maxx models w/sealed pivot ball suspension & 3.8" wheels) .....	\$25.00
5141	Turnbuckles, toe links (5.0mm steel) (front) (2) .....	\$10.00
5143	Turnbuckles, toe links (5.0mm steel) (rear) (2) .....	\$10.00