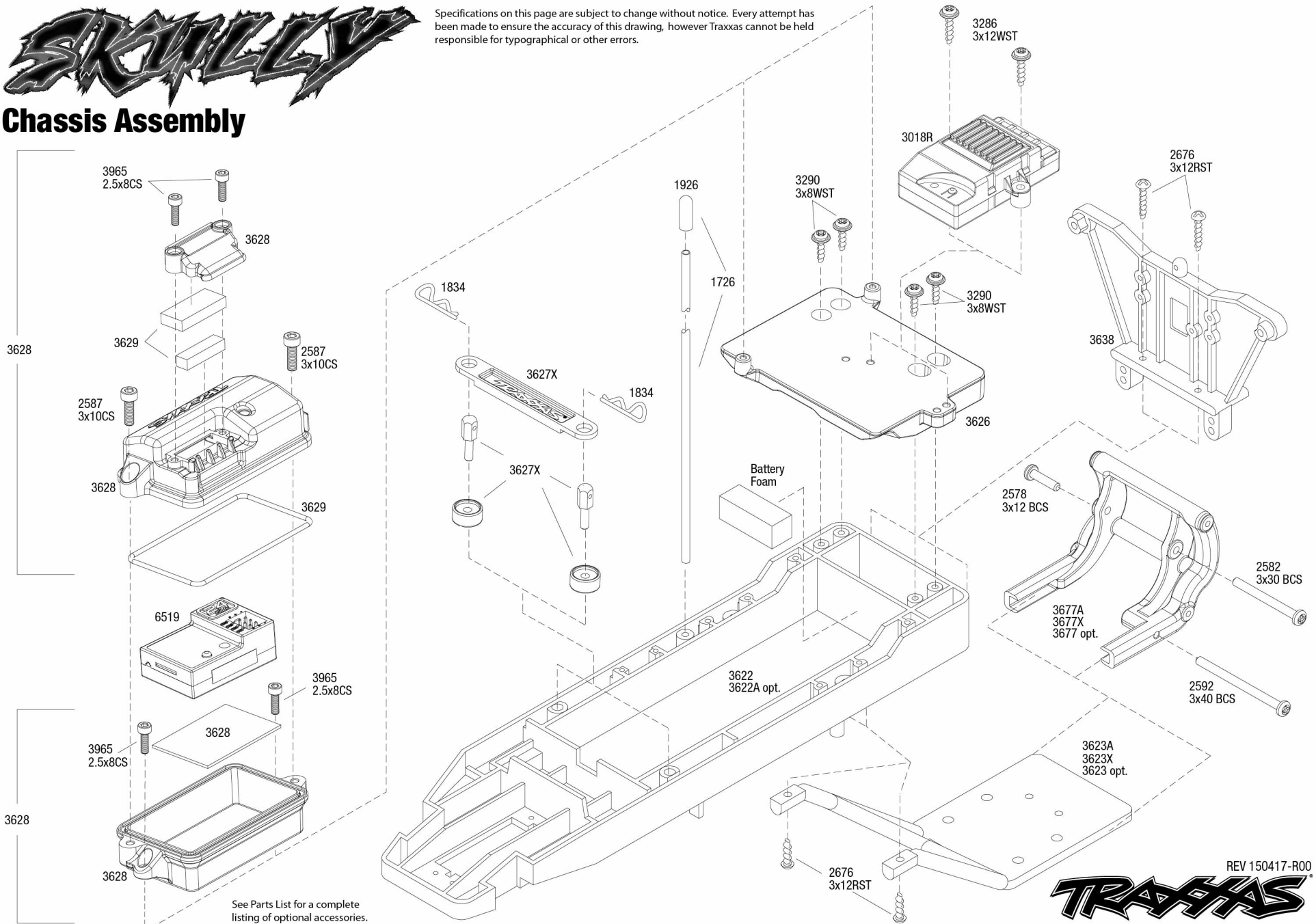




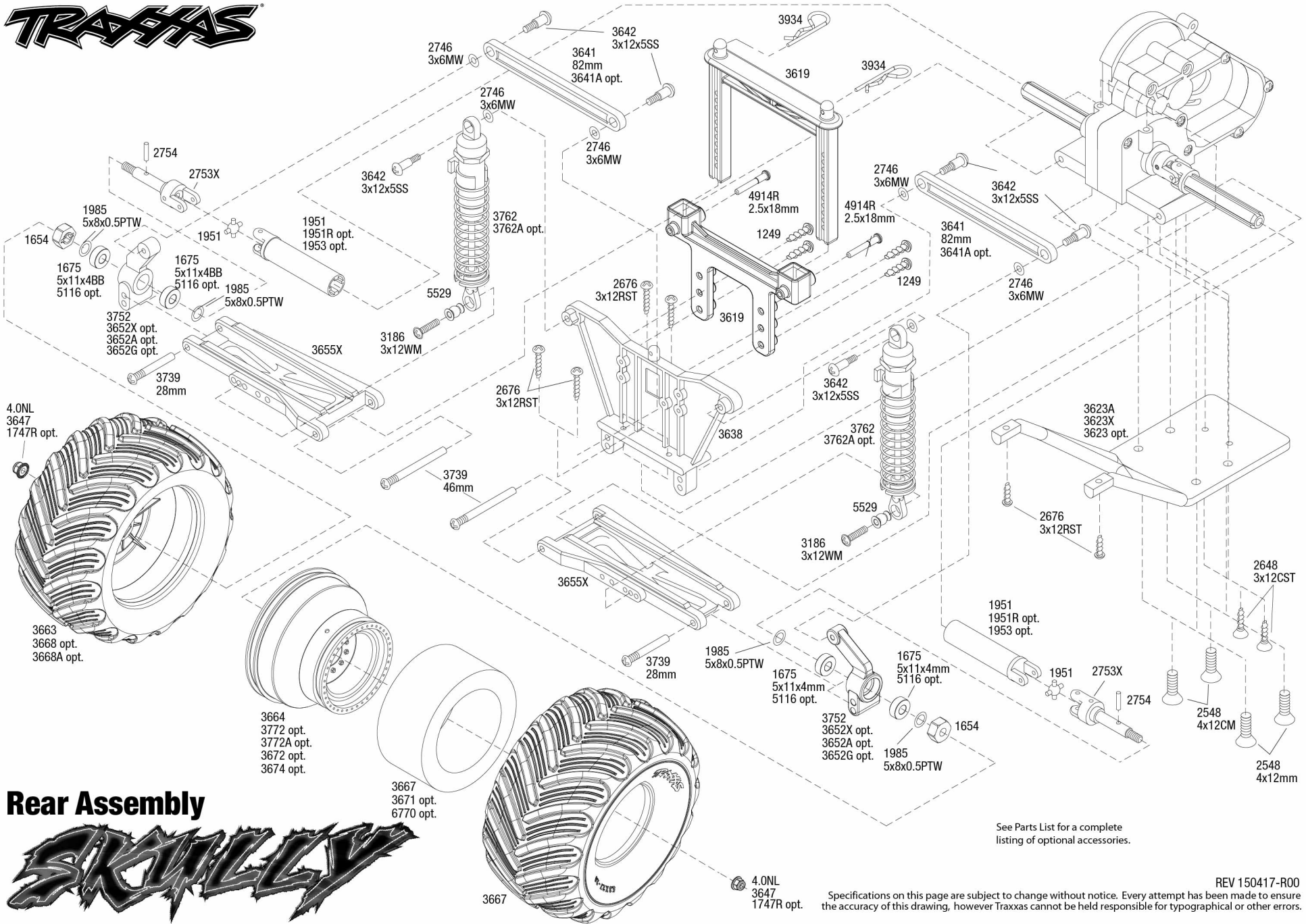
Chassis Assembly

Specifications on this page are subject to change without notice. Every attempt has been made to ensure the accuracy of this drawing, however Traxxas cannot be held responsible for typographical or other errors.



REV 150417-R00





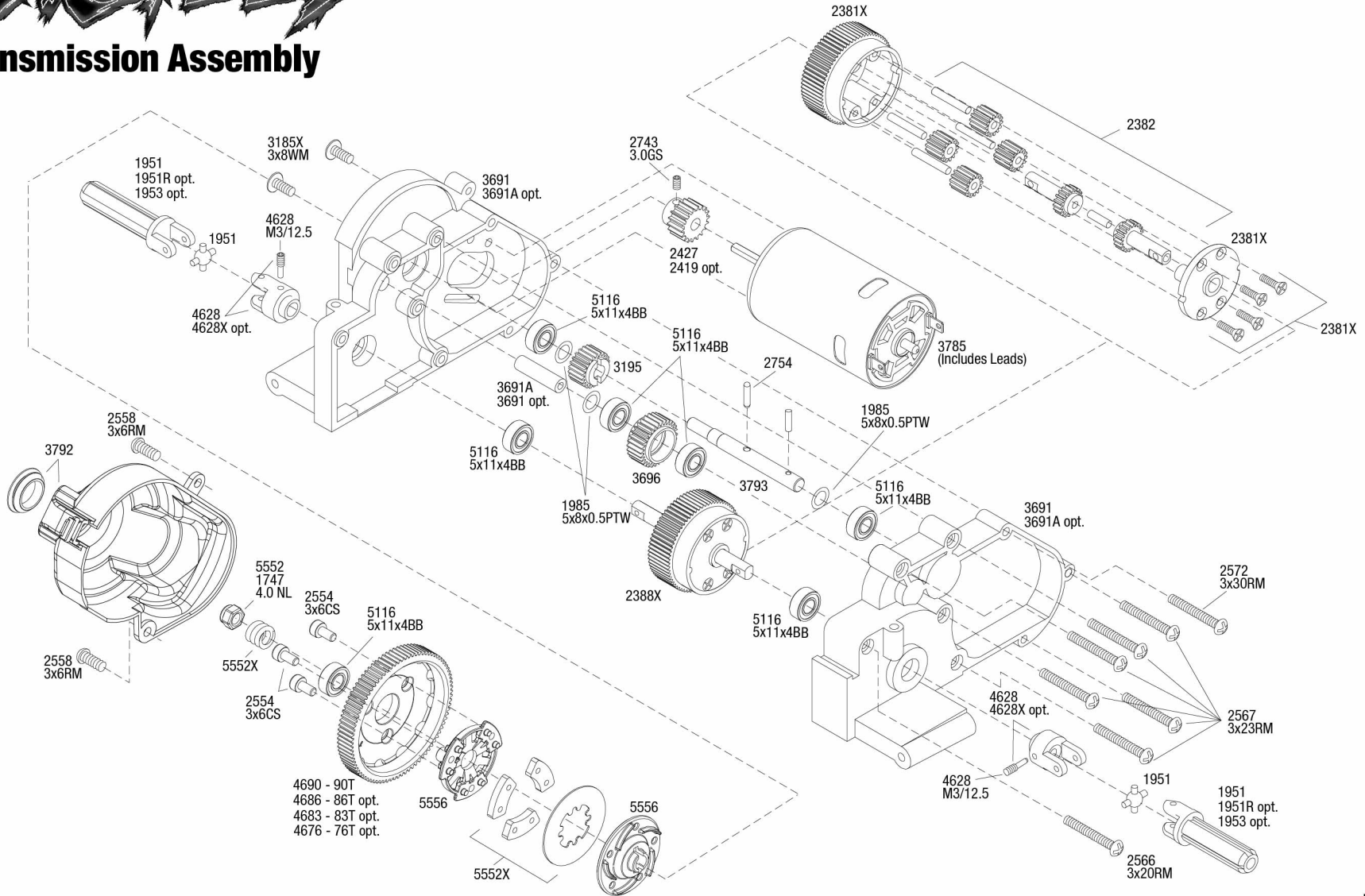
Rear Assembly



See Parts List for a complete listing of optional accessories.



Transmission Assembly



See Parts List for a complete listing of optional accessories.

REV 150417-R00

Specifications on this page are subject to change without notice. Every attempt has been made to ensure the accuracy of this drawing, however Traxxas cannot be held responsible for typographical or other errors.



Skully (Model 36064-1) Parts List

Parts shown in bold are optional accessories. Part categories and individual part listings are arranged alphabetically. Prices are shown in US Dollars.

Bearings & Bushings

4607	Ball bearings (5x11x4mm) (8)	\$24.00
4608	Ball Bearings (5x11x4mm) (6)/ 5x8x2.5mm (8)	\$42.00
4606	Ball bearings (5x8x2.5mm) (8) (for wheels only)	\$24.00
5116	Ball bearings, blue rubber sealed (5x11x4mm) (2)	\$3.50
5114	Ball bearings, blue rubber sealed (5x8x2.5mm) (2)	\$4.00
1675	Bushings, self-lubricating (5x11x4mm) (14)	\$5.00
3775	Bushings, self-lubricating (5x8x2.5mm) (12)	\$5.00
1985	PTFE-coated washers, 5x8x0.5mm (20) (use with ball bearings)	\$2.00

Body & Accessories

1926	Antenna caps, vinyl (2)/ antenna spool	\$2.00
1726	Antenna, tube (1)/ vinyl antenna cap (1)/ wire retainer (1)	\$1.00
1834	Body clips (12) (standard size)	\$2.00
3934	Body clips, heavy duty (12)	\$3.00
1914R	Body mount, front & rear (black)/ body posts, 52mm (2), 38mm (2), 25mm (2), 6.5mm (2)/ body post extensions (2)/ hardware	\$6.00
3614	Body mounts (front & rear)	\$5.00
3619	Body mounts, front & rear/ body mount posts, front & rear (adjustable)/ 2.5x18mm screw pins (4)	\$9.00
1815	Body washers (8)	\$2.00
6716	Body washers, foam, 2mm (2)/ 3mm (2)/ 4mm (4)	\$2.00
3634X	Body, Craniac, bone, heavy duty/ decals	\$45.00
3634	Body, Craniac, heavy duty (clear, requires painting)/ decals	\$30.00
3634R	Body, Craniac, red, heavy duty/ decals	\$45.00
3633X	Body, Skully, blue, heavy duty/ decals	\$45.00
3633G	Body, Skully, green, heavy duty/ decals	\$45.00
3633	Body, Skully, heavy duty (clear, requires painting)/ decals	\$30.00
3621	Bumper, front / bumper mount, front / 4x23mm RM (2)/ 3x10mm RST (2) (black)	\$5.00
3621X	Bumper, front / bumper mount, front / 4x23mm RM (2)/ 3x10mm RST (2) (blue)	\$5.00
3621A	Bumper, front / bumper mount, front / 4x23mm RM (2)/ 3x10mm RST (2) (green)	\$5.00
2514	Decal sheet, racing sponsors	\$3.00
3616	Decal sheets, Stampede	\$11.00
9950	Official Team Traxxas racing decal set (flag logo/ 6-color)	\$4.50
3931	Screws, 3x8mm flat-head machine (hex drive) (6)	\$2.50
5185	Tires, rubber (2) (fits Traxxas wheelie bar wheels)	\$7.00
4974	Wheelie bar arm (1)/ connector (1)/ 3x12 SS (hex drive) (4)	\$10.00
3677A	Wheelie bar mount (1) / hardware (green)	\$4.00
3677	Wheelie bar mount (1)/ hardware (black)	\$4.00
3677X	Wheelie bar mount (1)/ hardware (blue)	\$4.00
3678	Wheelie bar, assembled (black) (fits Slash, Stampede, Rustler, Bandit series)	\$15.00
3678X	Wheelie bar, assembled (blue) (fits Slash, Stampede, Rustler, Bandit series)	\$15.00
3678A	Wheelie bar, assembled (green) (fits Stampede, Rustler, Bandit series)	\$15.00
4976	Wheels (4)/ Axles (2), for Maxx wheelie bar	\$4.00
5186A	Wheels, aluminum (blue-anodized) (2)/ 5x8mm ball bearings (4)/ axles (2)/ rubber tires (2)	\$19.95
5186	Wheels, aluminum (red-anodized) (2)/ 5x8mm ball bearings (4)/ axles (2)/ rubber tires (2)	\$19.95

Chassis & Attachments

3725X	Battery expansion kit (allows for installation of taller multi-cell battery packs)	\$6.00
3627X	Battery hold-down (grey) (1) / receiver hold-down (grey) (1) / metal posts (2)/ spacers (2)/ body clips (2)/ servo tape/ adhesive foam pad	\$5.00
3628	Box, receiver (sealed)/ foam pad/2.5x8mm CS (4)/ 3x10mm CS (2)	\$12.00
2735	Bumper (front)	\$3.00
3621	Bumper, front / bumper mount, front / 4x23mm RM (2)/ 3x10mm RST (2) (black)	\$5.00
3621X	Bumper, front / bumper mount, front / 4x23mm RM (2)/ 3x10mm RST (2) (blue)	\$5.00
3621A	Bumper, front / bumper mount, front / 4x23mm RM (2)/ 3x10mm RST (2) (green)	\$5.00
3622	Main chassis (black)	\$10.00
3622A	Main chassis (grey)	\$10.00
3626	Mounting plate, electronic speed control/ receiver box (for installation of XL-5/ XL-10/VXL and waterproof receiver box into Stampede)	\$3.00
3629	Seal kit, receiver box (includes o-ring, seals, and silicone grease)	\$4.00

3623	Skid plates, front & rear (black)	\$7.00
3623X	Skid plates, front & rear (blue)	\$7.00
3623A	Skid plates, front & rear (green)	\$7.00
5185	Tires, rubber (2) (fits Traxxas wheelie bar wheels)	\$7.00
4974	Wheelie bar arm (1)/ connector (1)/ 3x12 SS (hex drive) (4)	\$10.00
3677A	Wheelie bar mount (1) / hardware (green)	\$4.00
3677	Wheelie bar mount (1)/ hardware (black)	\$4.00
3677X	Wheelie bar mount (1)/ hardware (blue)	\$4.00
3678	Wheelie bar, assembled (black) (fits Slash, Stampede, Rustler, Bandit series)	\$15.00
3678X	Wheelie bar, assembled (blue) (fits Slash, Stampede, Rustler, Bandit series)	\$15.00
3678A	Wheelie bar, assembled (green) (fits Stampede, Rustler, Bandit series)	\$15.00
4976	Wheels (4)/ Axles (2), for Maxx wheelie bar	\$4.00
5186A	Wheels, aluminum (blue-anodized) (2)/ 5x8mm ball bearings (4)/ axles (2)/ rubber tires (2)	\$19.95
5186	Wheels, aluminum (red-anodized) (2)/ 5x8mm ball bearings (4)/ axles (2)/ rubber tires (2)	\$19.95

Differential Components

2381X	Main diff with steel ring gear/ side cover plate/ screws (Bandit, Stampede, Rustler)	\$6.00
2382	Planet gears (4)/ planet shafts (4)/ sun gears (2)/sun gear alignment shaft (1) all hardened steel	\$6.00
2388X	Planetary gear differential with steel ring gear (complete) (fits Bandit, Stampede, Rustler)	\$15.00
5169	Screws, 2.6x8mm countersunk machine (6)	\$2.00
1647	Silicone grease	\$2.00

Driveline Components

5116	Ball bearings, blue rubber sealed (5x11x4mm) (2)	\$3.50
4628R	Differential output yokes, black (2)/ 3x5mm countersunk screws (2)/ screw pin (2)	\$4.00
4628X	Differential output yokes, hardened steel (w/ U-joints) (2)	\$19.50
6828X	Differential output yokes, heavy duty (2)/ screw pin (2)	\$4.00
1951R	Driveshafts, rear, steel-spline constant-velocity (complete assembly) (2) (fits 2WD Rustler/Stampede)	\$80.00
1953	Half shaft pro-pack (internal-splined (6)/ external-splined (6) (plastic shafts only)	\$10.00
6752	Half shaft, external splined (steel-spline constant-velocity) (1) (fits 2WD Rustler/Stampede)	\$8.00
6751	Half shaft, internal splined (steel-spline constant-velocity) (1)	\$6.00
6850X	Half shafts, heavy duty (external splined (2)/ internal splined (2))/ metal u-joints (4)	\$8.00
1951	Half shafts, long truck (external-splined (2) & internal-splined (2)/ metal U-joints (4)	\$6.00
6757	Rebuild kit, steel-splined constant-velocity driveshafts (includes pins, dustboots, lube, and hardware)	\$18.00
3752	Stub axle carriers (2) (requires 5x11x4mm bearings)	\$3.00
3652A	Stub axle carriers, Rustler/Stampede/Bandit (2), 6061-T6 aluminum (blue-anodized)/ 5x11mm ball bearings (4)	\$35.00
3652G	Stub axle carriers, Rustler/Stampede/Bandit (2), 6061-T6 aluminum (green-anodized)/ 5x11mm ball bearings (4)	\$35.00
3652X	Stub axle carriers, Rustler/Stampede/Bandit (2), 6061-T6 aluminum (red-anodized)/ 5x11mm ball bearings (4)	\$35.00
2754	Stub axle pins (4)	\$1.00
6753	Stub axle, rear, steel-splined constant-velocity (1)	\$7.50
2753X	Stub axles, rear (2)	\$5.00
6853X	Stub axles, rear, heavy duty (2)/pins (2)	\$6.00

Front Suspension & Steering

3637	Axles (front) (2)	\$3.00
2728	Ball bearings (5x8x2.5mm) (2)	\$8.00
5116	Ball bearings, blue rubber sealed (5x11x4mm) (2)	\$3.50
2545	Bellcrank bushings (plastic) (5x8x2.5mm) (4)	\$3.00
2530	Bulkhead (front) (black)	\$6.00
2530A	Bulkhead (front) (grey)	\$6.00
1675	Bushings, self-lubricating (5x11x4mm) (14)	\$5.00
3632	Caster blocks (l&r) (30-degree)	\$4.00
3632A	Caster blocks, 30-degree, blue-anodized 6061-T6 aluminum (left & right)/ suspension screw pin (2)	\$24.00
3632G	Caster blocks, 30-degree, green-anodized 6061-T6 aluminum (left & right)/ suspension screw pin (2)	\$24.00
3632X	Caster blocks, 30-degree, red-anodized 6061-T6 aluminum (left & right)/ suspension screw pin (2)	\$24.00
1942	Rod ends (16 long & 4 short)/ hollow ball connectors (18)/ ball screws (2)	\$7.00
5525R	Rod ends, heavy duty (Jato/Slayer) (8)	\$4.00

2742	Rod ends, long (6)/ hollow ball connectors (6).....	\$4.00	3187	Screws, 3x15mm washerhead machine (6).....	\$1.50
5347	Rod ends, Revo (large) with hollow balls (12).....	\$9.00	3288	Screws, 3x15mm washerhead self-tapping (6).....	\$1.50
2742X	Rod ends, short (6)/ hollow balls (6).....	\$4.00	2566	Screws, 3x20mm roundhead machine (6).....	\$1.50
1844	Servo saver.....	\$4.00	2567	Screws, 3x23mm roundhead machine (6).....	\$1.50
3639	Shock tower (front).....	\$4.00	2572	Screws, 3x30mm roundhead machine (6).....	\$1.50
3736	Steering blocks, left & right (2) (requires 5x11x4mm bearings).....	\$3.00	2554	Screws, 3x6mm cap-head machine (hex drive) (6).....	\$2.50
3636A	Steering blocks, Rustler/Stampede/Bandit (2), 6061-T6 aluminum (blue-anodized)/ 5x11mm ball bearings (4).....	\$35.00	2558	Screws, 3x6mm roundhead machine (6).....	\$1.50
3636G	Steering blocks, Rustler/Stampede/Bandit (2), 6061-T6 aluminum (green-anodized)/ 5x11mm ball bearings (4).....	\$35.00	3185X	Screws, 3x8mm washerhead machine (large head for motor mount) (6).....	\$1.50
3636X	Steering blocks, Rustler/Stampede/Bandit (2), 6061-T6 aluminum (red-anodized)/ 5x11mm ball bearings (4).....	\$35.00	3290	Screws, 3x8mm washerhead self-tapping (6).....	\$1.50
3631	Suspension arms (front) (2).....	\$8.00	2548	Screws, 4x12mm countersunk machine (100-degree) (6).....	\$1.50
3740	Suspension pins, 2.5x31.5mm (king pins) w/ E-clips (2) (strengthens caster blocks).....	\$2.50	2546	Screws, 4x15mm countersunk machine (hex drive) (6).....	\$2.50
2640	Suspension pins, 44mm (2) w/ E-clips.....	\$2.50	2573	Screws, 4x15mm roundhead machine (6).....	\$1.50
3640	Suspension screw pin set, steel (hex drive) (requires part #2640 for a complete suspension pin set) (Rustler, Stampede, Bandit).....	\$4.50	5529	Shim set, 3x7x1mm (2), 3x6x0.5mm (4), 3x7x2mm (2)/ hollow balls, captured (4).....	\$3.50
2537	Threaded rods (20/25/44mm 1 ea./ (1) 12mm set screw.....	\$2.50	2754	Stub axle pins (4).....	\$1.00
2532	Tie bar, fiberglass.....	\$4.00	3740	Suspension pins, 2.5x31.5mm (king pins) w/ E-clips (2) (strengthens caster blocks).....	\$2.50
3737A	Turnbuckle, aluminum (blue-anodized), camber link, front, 39mm (1)(assembled w/rod ends)/hollow balls (2)(See part 3741A for complete camber link set).....	\$6.00	Motors & Electronics		
3737	Turnbuckle, aluminum (red-anodized), camber link, front, 39mm (1) (assembled w/rod ends)/hollow balls (2)(See part 3741X for complete camber link set).....	\$6.00	1552	Backplate screws (3x8mm cap-head machine) (6)/washers (6)/ wrench.....	\$3.00
3139	Turnbuckles (62mm) (front tie rods) (2).....	\$2.00	2072	Gear set (for 2070, 2075 servos).....	\$4.00
3741A	Turnbuckles, aluminum (blue-anodized), camber links, front, 39mm (2), rear, 49mm (2) (assembled w/rod ends & hollow balls)/ wrench.....	\$22.00	1275	Motor, Stinger (20-turn, 540 size).....	\$19.00
3139A	Turnbuckles, aluminum (blue-anodized), toe links, 59mm (2) (assembled w/ rod ends & hollow balls) (requires 5mm aluminum wrench #5477).....	\$12.00	3785	Motor, Titan 12T (12-Turn, 550 size).....	\$26.00
2336A	Turnbuckles, aluminum (blue-anodized), toe links, 61mm (2) (assembled w/ rod ends & hollow balls) (fits Stampede) (requires 5mm aluminum wrench #5477).....	\$12.00	3351R	Motor, Velineon 3500, brushless (assembled with 12-gauge wire and gold-plated bullet connectors).....	\$120.00
3741X	Turnbuckles, aluminum (red-anodized), camber links, front, 39mm (2), rear, 49mm (2) (assembled w/ rod ends & hollow balls)/wrench.....	\$22.00	3626	Mounting plate, electronic speed control/ receiver box (for installation of XL-5/ XL-10/VXL and waterproof receiver box into Stampede).....	\$3.00
3139X	Turnbuckles, aluminum (red-anodized), toe links, 59mm (2) (assembled with rod ends & hollow balls) (requires 5mm aluminum wrench #5477).....	\$12.00	3725	Mounting plate, speed control (VXL-3s) (Bandit, Rustler, Stampede).....	\$3.00
2336X	Turnbuckles, aluminum (red-anodized), toe links, 61mm (2)(assembled with rod ends & hollow balls) (fits Stampede) (requires 5mm aluminum wrench #5477).....	\$12.00	2074	Servo case/gaskets (for 2056 and 2075 waterproof servos).....	\$6.00
3644	Turnbuckles, camber link, 39mm (69mm center to center) (assembled with rod ends and hollow balls) (1 left, 1 right).....	\$7.00	2053	Servo gears (for 2055, 2056 servos).....	\$4.00
3745	Turnbuckles, toe link, 59mm (78mm center to center) (2) (assembled with rod ends and hollow balls).....	\$8.75	2075	Servo, digital high-torque (ball bearing), waterproof.....	\$46.00
3645	Turnbuckles, toe link, 61mm (96mm center to center) (2) (assembled with rod ends and hollow balls) (fits Stampede).....	\$8.50	2056	Servo, high-torque, waterproof (blue case).....	\$34.00
Hardware			3350R	Velineon VXL-3s Brushless Power System, waterproof (includes VXL-3s waterproof ESC, Velineon 3500 motor, and speed control mounting plate (part #3725)).....	\$250.00
1926	Antenna caps, vinyl (2)/ antenna spool.....	\$2.00	3355R	Velineon VXL-3s Electronic Speed Control, waterproof (brushless) (fwd/rev/brake).....	\$220.00
1726	Antenna, tube (1)/ vinyl antenna cap (1)/ wire retainer (1).....	\$1.00	3018R	XL-5 Electronic Speed Control, waterproof (land version, low-voltage detection, fwd/rev/brake).....	\$85.00
3642	Attachment screws, shock (3x12mm shoulder screws) (6).....	\$3.00	Radio System, Batteries & Chargers		
1552	Backplate screws (3x8mm cap-head machine) (6)/washers (6)/ wrench.....	\$3.00	2854X	10000mAh 7.4v 2-Cell 25C LiPo Battery.....	\$180.00
1834	Body clips (12) (standard size).....	\$2.00	2843X	5800mAh 7.4v 2-Cell 25C LiPo Battery.....	\$100.00
3934	Body clips, heavy duty (12).....	\$3.00	2976	AC to DC converter, 40W.....	\$32.00
1589	Double-sided adhesive tape (25mm x 25mm) (2).....	\$1.00	2938	Adapter, Traxxas iD Lipo Battery. (Connects Traxxas iD batteries to LiPo chargers with separate balance ports).....	\$12.00
2745	Nuts, 3mm nylon locking (12).....	\$2.00	1726	Antenna, tube (1)/ vinyl antenna cap (1)/ wire retainer (1).....	\$1.00
3647	Nuts, 4mm flanged nylon locking (steel, serrated) (8).....	\$3.25	6548	Battery door, TQ 2.4 transmitter (replacement for #6516, 6517, 6528, 6529, 6530 transmitter).....	\$4.00
1747	Nuts, 4mm nylon locking (10).....	\$2.00	2914	Battery, Power Cell AA Alkaline (4).....	\$3.99
1747R	Nuts, aluminum, flanged, serrated (4mm) (blue-anodized) (4).....	\$7.50	2922X	Battery, Power Cell, 3000mAh (NiMH, 6-C flat, 7.2V).....	\$34.99
1747G	Nuts, aluminum, flanged, serrated (4mm) (green-anodized) (4).....	\$7.50	2926X	Battery, Power Cell, 3000mAh (NiMH, 7-C hump, 8.4V).....	\$39.99
1985	PTFE-coated washers, 5x8x0.5mm (20) (use with ball bearings).....	\$2.00	2942X	Battery, Series 3 Power Cell, 3300mAh (NiMH, 6-C flat, 7.2V).....	\$39.99
1942	Rod ends (16 long & 4 short)/ hollow ball connectors (18)/ ball screws (2).....	\$7.00	2941X	Battery, Series 3 Power Cell, 3300mAh (NiMH, 7-C hump, 8.4V).....	\$45.99
5525R	Rod ends, heavy duty (Jato/Slayer) (8).....	\$4.00	2952X	Battery, Series 4 Power Cell, 4200mAh (NiMH, 6-C flat, 7.2V).....	\$59.99
5347	Rod ends, Revo (large) with hollow balls (12).....	\$9.00	2951X	Battery, Series 4 Power Cell, 4200mAh (NiMH, 7-C hump, 8.4V).....	\$69.99
2742X	Rod ends, short (6)/ hollow balls (6).....	\$4.00	2961X	Battery, Series 5 Power Cell, 5000mAh (NiMH, 7-C hump, 8.4V).....	\$74.99
3739	Screw pin set (Rustler/ Bandit/ Stampede).....	\$4.50	2927X	Charger, A/C, 500 mA (7 cell, NiMH) (includes plug inserts for US/Japan, European Union, United Kingdom, and Australia).....	\$25.00
3229	Screws, 2.5x10mm cap-head machine (hex drive) (6).....	\$2.50	2975	Charger, DC, 4 amp (6 - 7 cell, 7.2 - 8.4 volt, NiMH).....	\$32.00
3965	Screws, 2.5x8mm cap-head machine (6).....	\$2.50	2972	Charger, dual, EZ-Peak Plus, 100W, NiMH/LiPo with iD Auto Battery Identification.....	\$130.00
2587	Screws, 3x10mm cap-head machine (6) (no washer).....	\$2.50	2970	Charger, EZ-Peak Plus, 4 amp, LiPo/NiMH with iD Auto Battery Identification.....	\$65.00
2675	Screws, 3x10mm roundhead self-tapping (6).....	\$1.50	2978	Fuse, charger, 5A (2) (for #2970).....	\$1.50
2648	Screws, 3x12mm countersunk self-tapping (6).....	\$1.50	2072	Gear set (for 2070, 2075 servos).....	\$4.00
3186	Screws, 3x12mm washerhead machine (6).....	\$1.50	6557	Mount, telemetry expander (fits Stampede 2WD).....	\$8.00
3286	Screws, 3x12mm washerhead self-tapping (6).....	\$1.50	6535	Mount, temperature sensor (electric motors)/ wire tie/ thermal pad.....	\$3.00
2563	Screws, 3x15mm roundhead machine (6).....	\$1.50	6519	Receiver, micro, TQ 2.4GHz (3-channel).....	\$30.00
			6518	Receiver, micro, TQi 2.4GHz with telemetry (5-channel).....	\$50.00
			6522	Sensor, RPM (short)/ 3x4mm BCS (2).....	\$12.00
			6521	Sensor, temperature and voltage (long).....	\$12.00
			2074	Servo case/gaskets (for 2056 and 2075 waterproof servos).....	\$6.00
			2053	Servo gears (for 2055, 2056 servos).....	\$4.00
			2075	Servo, digital high-torque (ball bearing), waterproof.....	\$46.00

2056	Servo, high-torque, waterproof (blue case)	\$34.00
6538	Telemetry trigger magnet holders, spur gear/ magnet, 5x2mm (1)/ 3x8mm CCS (3)/ 3x10mm CCS (3).....	\$3.00
6540	Telemetry trigger magnet, 5X2mm (1)	\$2.00
6509X	TQi 2.4 GHz radio system, 2-channel Traxxas Link enabled (2-ch transmitter, 5-ch micro receiver)	\$135.00
6507X	TQi 2.4 GHz radio system, 4-channel with Traxxas Link Wireless Module (4-ch transmitter, 5-ch micro receiver)	\$200.00
6516	Transmitter, TQ 2.4GHz, 2-channel (transmitter only)	\$60.00
6528	Transmitter, TQi Traxxas Link enabled, 2.4GHz high output, 2-channel (transmitter only)	\$100.00
6529	Transmitter, TQi Traxxas Link enabled, 2.4GHz high output, 3-channel (transmitter only)	\$105.00
6530	Transmitter, TQi Traxxas Link enabled, 2.4GHz high output, 4-channel (transmitter only)	\$115.00
6537	Wire retainers, gear cover/ 3x4mm BCS (2)	\$3.00
3018R	XL-5 Electronic Speed Control, waterproof (land version, low-voltage detection, fwd/rev/brake).....	\$85.00

Ready-To-Race Model

36064-1	Skully: 1/10 Scale Monster Truck with TQ 2.4GHz radio system....	Call
---------	--	------

Rear Suspension

5116	Ball bearings, blue rubber sealed (5x11x4mm) (2)	\$3.50
1675	Bushings, self-lubricating (5x11x4mm) (14)	\$5.00
3739	Screw pin set (Rustler/ Bandit/ Stampede).....	\$4.50
3638	Shock tower (rear).....	\$4.50
3752	Stub axle carriers (2) (requires 5x11x4mm bearings).....	\$3.00
3652A	Stub axle carriers, Rustler/Stampede/Bandit (2), 6061-T6 aluminum (blue-anodized)/ 5x11mm ball bearings (4).....	\$35.00
3652G	Stub axle carriers, Rustler/Stampede/Bandit (2), 6061-T6 aluminum (green-anodized)/ 5x11mm ball bearings (4)	\$35.00
3652X	Stub axle carriers, Rustler/Stampede/Bandit (2), 6061-T6 aluminum (red-anodized)/ 5x11mm ball bearings (4)	\$35.00
2753X	Stub axles, rear (2).....	\$5.00
3655X	Suspension arms, left & right.....	\$10.00
3640	Suspension screw pin set, steel (hex drive) (requires part #2640 for a complete suspension pin set) (Rustler, Stampede, Bandit).....	\$4.50

Shocks (Aluminum)

1965	Piston head set, (2 sets of 3 types)/ shock collars (2)/ spring retainers (2)	\$2.50
1942	Rod ends (16 long & 4 short)/ hollow ball connectors (18)/ ball screws (2)	\$7.00
2742X	Rod ends, short (6)/ hollow balls (6).....	\$4.00
2760	Shock caps, aluminum (2).....	\$7.00
1664T	Shock shafts, hardened steel, titanium nitride coated (long) (2)	\$10.00
2765T	Shock shafts, hardened steel, titanium nitride coated (X-long) (2).....	\$10.00
1664	Shock shafts, steel, chrome finish (long) (2).....	\$3.00
2765	Shock shafts, steel, chrome finish (X-long) (2)	\$3.00
4760	Shocks, long (hard-anodized & PTFE-coated T6 aluminum) w/o springs (front) (2)	\$25.00
4761	Shocks, X-long (hard-anodized & PTFE-coated T6 aluminum) w/o springs (rear) (2).....	\$25.00
1666	Silicone shock oil (30 wt).....	\$2.00

Shocks (Pro-level Aluminum)

2664	Big Bore shock cylinder (long) (1)	\$8.00
2666	Big Bore shock cylinder (XX-long) (1)	\$8.00
5862	Big Bore shocks (hard-anodized & PTFE-coated T6 aluminum) (assembled with TiN shafts and springs) (front & rear) (4).....	\$70.00
2660	Big Bore shocks (long) (hard-anodized & PTFE-coated T6 aluminum) (assembled with TiN shafts) w/o springs (front) (2)	\$30.00
2662	Big Bore shocks (XX-long) (hard-anodized & PTFE-coated T6 aluminum) (assembled with TiN shafts) w/o springs (rear) (2)	\$30.00
2669	Piston head set (2-hole (2)/ 3-hole (2))/ shock mounting bushings & washers (2) (Big Bore Shocks)	\$2.50
2362	Rebuild kit, Ultra shocks (for 2 shocks)	\$2.50
1942	Rod ends (16 long & 4 short)/ hollow ball connectors (18)/ ball screws (2)	\$7.00
2742X	Rod ends, short (6)/ hollow balls (6).....	\$4.00
2667	Shock caps, aluminum (2)/ (Big Bore Shocks)	\$7.00
1664T	Shock shafts, hardened steel, titanium nitride coated (long) (2)	\$10.00
2656T	Shock shafts, hardened steel, titanium nitride coated (xx-long) (2).....	\$10.00
1664	Shock shafts, steel, chrome finish (long) (2).....	\$3.00
2656	Shock shafts, steel, chrome finish (xx-long) (2).....	\$3.00

1765	Silicone diaphragms (4).....	\$2.00
1666	Silicone shock oil (30 wt).....	\$2.00
2668	Spring retainers, upper & lower (2)/ spring pre-load spacers: 1mm (4)/ 1.5mm (2)/ 2mm (2)/ 4mm (2)/ 8mm (2) (Big Bore Shocks).....	\$5.50
5860	Springs, front (white) (progressive rate) (2) (fits #5862 aluminum Big Bore shocks).....	\$8.00
5859	Springs, rear (white) (progressive rate) (2) (fits #5862 aluminum Big Bore shocks).....	\$8.00

Shocks (Ultra Shocks)

3642	Attachment screws, shock (3x12mm shoulder screws) (6)	\$3.00
3765A	Body, Ultra Shock(s) (long) (grey) (2)	\$3.00
3766A	Body, Ultra Shock(s) (XXL) (grey) (2).....	\$3.00
2362	Rebuild kit, Ultra shocks (for 2 shocks).....	\$2.50
1942	Rod ends (16 long & 4 short)/ hollow ball connectors (18)/ ball screws (2)	\$7.00
2742X	Rod ends, short (6)/ hollow balls (6).....	\$4.00
3767	Shock caps (2)/ shock bottoms (2)	\$3.00
3767A	Shock caps, aluminum (blue-anodized) (4) (fits all Ultra Shocks).....	\$14.00
3767G	Shock caps, aluminum (green-anodized) (4) (fits all Ultra Shocks).....	\$14.00
3767X	Shock caps, aluminum (red-anodized) (4) (fits all Ultra Shocks).....	\$14.00
1664T	Shock shafts, hardened steel, titanium nitride coated (long) (2).....	\$10.00
2656T	Shock shafts, hardened steel, titanium nitride coated (xx-long) (2).....	\$10.00
1664	Shock shafts, steel, chrome finish (long) (2).....	\$3.00
2656	Shock shafts, steel, chrome finish (xx-long) (2)	\$3.00
1765	Silicone diaphragms (4).....	\$2.00
1666	Silicone shock oil (30 wt).....	\$2.00
3769	Spring pre-load spacers: 1mm (4)/ 2mm (2)/ 4mm (2)/ 8mm (2).....	\$4.00
3768	Spring retainers, upper & lower (2)/ piston head set (2-hole (2)/ 3-hole (2)).....	\$3.00
3758	Springs, front (black) (2).....	\$2.00
3758T	Springs, front (blue) (2).....	\$5.00
3758A	Springs, front (green) (2)	\$5.00
3758R	Springs, front (red) (2).....	\$5.00
3758X	Springs, front (white) (2)	\$4.00
3757	Springs, rear (black) (2)	\$2.00
3757T	Springs, rear (blue) (2)	\$4.00
3757A	Springs, rear (green) (2)	\$5.00
3757R	Springs, rear (red) (2.9 rate) (2)	\$4.00
3757X	Springs, rear (white) (2)	\$4.00
4957	Springs, red (for Ultra Shocks only) (2.5 rate) (f/r) (2)	\$2.50
3760	Ultra Shocks (black) (long) (complete w/ spring pre-load spacers & springs) (front) (2)	\$18.00
3762	Ultra Shocks (black) (xx-long) (complete w/ spring pre-load spacers & springs) (rear) (2).....	\$18.00
3760A	Ultra Shocks (grey) (long) (complete w/ spring pre-load spacers & springs) (2).....	\$18.00
3762A	Ultra Shocks (grey) (xx-long) (complete w/ spring pre-load spacers & springs) (rear) (2).....	\$18.00

Slipper Clutch Components

3793	Input shaft (slipper shaft) / spring pin.....	\$3.00
5552X	Rebuild kit, slipper clutch (steel disc/ friction pads (3)/ spring (2)/ pin/ 4.0mm NL (1)/ 5.0mm NL (1))	\$10.00
2554	Screws, 3x6mm cap-head machine (hex drive) (6).....	\$2.50
5556	Slipper pressure plate & hub (aluminum alloy).....	\$8.00

Spur Gears & Pinion Gears

2416	Gear, 16-T pinion (48-pitch) / set screw.....	\$3.50
1918	Gear, 18-T pinion (48-pitch) / set screw	\$3.00
2419	Gear, 19-T pinion (48-pitch) / set screw	\$3.00
2423	Gear, 23-T pinion (48-pitch) / set screw	\$3.00
4725	Gear, pinion (25-tooth) (48-pitch) / set screw	\$3.00
4676	Spur gear, 76-tooth (48-pitch) (for models with Torque-Control slipper clutch)	\$3.00
4683	Spur gear, 83-tooth (48-pitch) (for models with Torque-Control slipper clutch)	\$3.00
4686	Spur gear, 86-tooth (48-pitch) (for models with Torque-Control slipper clutch)	\$3.00
4690	Spur gear, 90-tooth (48-pitch) (for models with Torque-Control slipper clutch).....	\$3.00

Steering Components

2728	Ball bearings (5x8x2.5mm) (2)	\$8.00
2545	Bellcrank bushings (plastic) (5x8x2.5mm) (4)	\$3.00
2742	Rod ends, long (6)/ hollow ball connectors (6).....	\$4.00
1844	Servo saver.....	\$4.00
2336	Turnbuckles, 78mm (2).....	\$2.00

2336A	Turnbuckles, aluminum (blue-anodized), toe links, 61mm (2) (assembled w/ rod ends & hollow balls) (fits Stampede) (requires 5mm aluminum wrench #5477)	\$12.00
2336X	Turnbuckles, aluminum (red-anodized), toe links, 61mm (2)(assembled with rod ends & hollow balls) (fits Stampede) (requires 5mm aluminum wrench #5477)	\$12.00
3645	Turnbuckles, toe link, 61mm (96mm center to center) (2) (assembled with rod ends and hollow balls) (fits Stampede) ...	\$8.50

Suspension Linkage

3642	Attachment screws, shock (3x12mm shoulder screws) (6)	\$3.00
3641A	Camber link set (plastic / non-adjustable) (front & rear) (grey).....	\$3.00
3641	Camber link set (plastic/ non-adjustable) (front & rear) (black)	\$3.00
1942	Rod ends (16 long & 4 short)/ hollow ball connectors (18)/ ball screws (2)	\$7.00
2742	Rod ends, long (6)/ hollow ball connectors (6).....	\$4.00
2742X	Rod ends, short (6)/ hollow balls (6).....	\$4.00
3739	Screw pin set (Rustler/ Bandit/ Stampede).....	\$4.50
3740	Suspension pins, 2.5x31.5mm (king pins) w/ E-clips (2) (strengthens caster blocks).....	\$2.50
2637	Suspension pins, 31.5mm, chrome (2) w/ E-clips (4).....	\$2.50
2640	Suspension pins, 44mm (2) w/ E-clips.....	\$2.50
3640	Suspension screw pin set, steel (hex drive) (requires part #2640 for a complete suspension pin set) (Rustler, Stampede, Bandit).....	\$4.50
3737A	Turnbuckle, aluminum (blue-anodized), camber link, front, 39mm (1)(assembled w/rod ends)/hollow balls (2)(See part 3741A for complete camber link set)	\$6.00
3738A	Turnbuckle, aluminum (blue-anodized), camber link, rear, 49mm (1) (assembled w/ rod ends & hollow balls) (See part 3741A for complete camber link set)	\$6.00
3737	Turnbuckle, aluminum (red-anodized), camber link, front, 39mm (1) (assembled w/rod ends)/hollow balls (2)(See part 3741X for complete camber link set)	\$6.00
3738	Turnbuckle, aluminum (red-anodized), camber link, rear, 49mm (1) (assembled with rod ends & hollow balls)(See part 3741X for complete camber link set)	\$6.00
1937	Turnbuckles (54mm) (2)/ 3x6x4mm aluminum spacers (rear camber links).....	\$2.00
2336	Turnbuckles, 78mm (2)	\$2.00
3741A	Turnbuckles, aluminum (blue-anodized), camber links, front, 39mm (2), rear, 49mm (2) (assembled w/rod ends & hollow balls)/ wrench	\$22.00
2336A	Turnbuckles, aluminum (blue-anodized), toe links, 61mm (2) (assembled w/ rod ends & hollow balls) (fits Stampede) (requires 5mm aluminum wrench #5477)	\$12.00
3741X	Turnbuckles, aluminum (red-anodized), camber links, front, 39mm (2), rear, 49mm (2) (assembled w/ rod ends & hollow balls)/wrench	\$22.00
2336X	Turnbuckles, aluminum (red-anodized), toe links, 61mm (2)(assembled with rod ends & hollow balls) (fits Stampede) (requires 5mm aluminum wrench #5477)	\$12.00
3644	Turnbuckles, camber link, 39mm (69mm center to center) (assembled with rod ends and hollow balls) (1 left, 1 right)	\$7.00
3643	Turnbuckles, camber link, 49mm (82mm center to center) (assembled with rod ends and hollow balls) (1 left, 1 right)	\$7.50
3645	Turnbuckles, toe link, 61mm (96mm center to center) (2) (assembled with rod ends and hollow balls) (fits Stampede) ...	\$8.50

Team Traxxas Items

2514	Decal sheet, racing sponsors.....	\$3.00
9950	Official Team Traxxas racing decal set (flag logo/ 6-color).....	\$4.50
9909	Traxxas racing banner, red & black (3x7 feet)	\$15.00

Tires & Wheels

4608	Ball Bearings (5x11x4mm) (6)/ 5x8x2.5mm (8)	\$42.00
5116	Ball bearings, blue rubber sealed (5x11x4mm) (2)	\$3.50
1675	Bushings, self-lubricating (5x11x4mm) (14)	\$5.00
5854	Hub retainer, 17mm hubs, M4 X 0.7 (4) (use with #5853X, #6856X, #6469).....	\$8.00
3647	Nuts, 4mm flanged nylon locking (steel, serrated) (8).....	\$3.25
1747R	Nuts, aluminum, flanged, serrated (4mm) (blue-anodized) (4)..	\$7.50
1747G	Nuts, aluminum, flanged, serrated (4mm) (green-anodized) (4)	\$7.50
1985	PTFE-coated washers, 5x8x0.5mm (20) (use with ball bearings) ...	\$2.00
1647	Silicone grease.....	\$2.00
2754	Stub axle pins (4)	\$1.00
3668A	Tires & wheels, assembled, glued (2.8") (All-Star black chrome wheels, Talon tires, foam inserts) (electric rear) (2)	\$31.00
3669A	Tires & wheels, assembled, glued (2.8") (All-Star black chrome wheels, Talon tires, foam inserts) (nitro rear/ electric front) (2)	\$31.00

3668	Tires & wheels, assembled, glued (2.8") (All-Star chrome wheels, Talon tires, foam inserts) (electric rear) (2)	\$30.00
3669	Tires & wheels, assembled, glued (2.8") (All-Star chrome wheels, Talon tires, foam inserts) (nitro rear/ electric front) (2).....	\$30.00
3663	Tires & wheels, assembled, glued (satin chrome wheels, Terra Groove dual profile tires, foam inserts) (electric rear) (2).....	\$34.00
3665	Tires & wheels, assembled, glued (satin chrome wheels, Terra Groove dual profile tires, foam inserts) (nitro rear/ electric front) (2).....	\$34.00
6771	Tires and wheels, assembled, glued 2.8" (All-Star chrome wheels, Maxx tires, foam inserts) (2)	\$34.00
6770	Tires, Maxx 2.8" (2)/ foam inserts (2).....	\$20.00
3671	Tires, Talon 2.8" (2)/ foam inserts (2).....	\$20.00
3667	Tires, Terra Groove (dual profile 5.3"x2.7"- 2.0") (2)/ foam inserts (2).....	\$22.00
1654	Wheel hubs, hex (2)/ stub axle pins (2)	\$2.00
3654	Wheel hubs, hex (tall offset, Rustler/Stampede front) (2)/ axle pins (2.5x10mm) (2)	\$3.00
5853X	Wheel hubs, splined, 17mm, short (2), long (2)/wheel nuts, splined, 17mm (4) (blue-anodized)/ hub retainer M4x0.7 (4)/axle pin (4)/wrench, 5mm	\$40.00
5353	Wheel nuts, splined, 17mm (blue-anodized) (4)	\$10.00
5480X	Wheel wrench, splined, 17mm.....	\$3.00
3772A	Wheels, All-Star 2.8" (black chrome) (electric rear).....	\$9.00
5576A	Wheels, All-Star 2.8" (black chrome) (nitro rear/ electric front) (2).....	\$9.00
3772	Wheels, All-Star 2.8" (chrome) (electric rear).....	\$8.00
5576	Wheels, All-Star 2.8" (chrome) (nitro rear/ electric front) (2)....	\$8.00
3673	Wheels, chrome (2.2") (front) (2)	\$6.00
3672	Wheels, chrome (2.2") (rear) (2).....	\$6.00
3675	Wheels, dyeable nylon 2.2 (front) (2)	\$4.00
3674	Wheels, dyeable nylon 2.2 (rear) (2).....	\$4.00
3664	Wheels, satin chrome, dual profile (2.0" outer 3.0" inner) (electric rear) (2)	\$8.00
3666	Wheels, satin chrome, dual profile (2.0" outer 3.0" inner) (nitro rear/ electric front) (2).....	\$8.00
3774	Wheels, Twin-Spoke 2.8" (chrome) (electric rear) (2)	\$8.00
5572	Wheels, Twin-Spoke 2.8" (chrome) (nitro rear/ electric front) (2).....	\$8.00

Transmission Components

1552	Backplate screws (3x8mm cap-head machine) (6)/washers (6)/ wrench	\$3.00
4607	Ball bearings (5x11x4mm) (8).....	\$24.00
5116	Ball bearings, blue rubber sealed (5x11x4mm) (2)	\$3.50
2519	Differential gear (60-tooth) (for optional ball differential only)..	\$3.50
3792	Dust cover/rubber plug (w/ screws) (telemetry ready).....	\$3.50
5478	Flat wrench, 8mm (blue-anodized aluminum)	\$4.00
3691	Gearbox halves (l&r) (black) w/ idler gear shaft	\$8.00
3691A	Gearbox halves (l&r) (grey) w/ idler gear shaft	\$8.00
5148	Grease, white lithium	\$3.00
1996	Idler gear (30-tooth).....	\$3.00
3696	Idler gear, steel (30-tooth)	\$3.00
3793	Input shaft (slipper shaft) / spring pin.....	\$3.00
2381X	Main diff with steel ring gear/ side cover plate/ screws (Bandit, Stampede, Rustler)	\$6.00
2382	Planet gears (4)/ planet shafts (4)/ sun gears (2)/sun gear alignment shaft (1) all hardened steel.....	\$6.00
2388X	Planetary gear differential with steel ring gear (complete) (fits Bandit, Stampede, Rustler)	\$15.00
5552X	Rebuild kit, slipper clutch (steel disc/ friction pads (3)/ spring (2)/ pin/ 4.0mm NL (1)/ 5.0mm NL (1)).....	\$10.00
2554	Screws, 3x6mm cap-head machine (hex drive) (6).....	\$2.50
3185X	Screws, 3x8mm washerhead machine (large head for motor mount) (6).....	\$1.50
1647	Silicone grease.....	\$2.00
5556	Slipper pressure plate & hub (aluminum alloy)	\$8.00
3195	Top drive gear, steel (22-tooth)	\$3.00

Turnbuckles & Threaded Rods

1942	Rod ends (16 long & 4 short)/ hollow ball connectors (18)/ ball screws (2).....	\$7.00
5525R	Rod ends, heavy duty (Jato/Slayer) (8).....	\$4.00
2742	Rod ends, long (6)/ hollow ball connectors (6).....	\$4.00
5347	Rod ends, Revo (large) with hollow balls (12).....	\$9.00
2742X	Rod ends, short (6)/ hollow balls (6)	\$4.00
3737A	Turnbuckle, aluminum (blue-anodized), camber link, front, 39mm (1)(assembled w/rod ends)/hollow balls (2)(See part 3741A for complete camber link set)	\$6.00
3738A	Turnbuckle, aluminum (blue-anodized), camber link, rear, 49mm (1) (assembled w/ rod ends & hollow balls) (See part 3741A for complete camber link set)	\$6.00

3737	Turnbuckle, aluminum (red-anodized), camber link, front, 39mm (1) (assembled w/rod ends)/hollow balls (2)(See part 3741X for complete camber link set)	\$6.00
3738	Turnbuckle, aluminum (red-anodized), camber link, rear, 49mm (1) (assembled with rod ends & hollow balls)(See part 3741X for complete camber link set)	\$6.00
1937	Turnbuckles (54mm) (2)/ 3x6x4mm aluminum spacers (rear camber links).....	\$2.00
2336	Turnbuckles, 78mm (2)	\$2.00
3741A	Turnbuckles, aluminum (blue-anodized), camber links, front, 39mm (2), rear, 49mm (2) (assembled w/rod ends & hollow balls)/ wrench	\$22.00
2336A	Turnbuckles, aluminum (blue-anodized), toe links, 61mm (2) (assembled w/ rod ends & hollow balls) (fits Stampede) (requires 5mm aluminum wrench #5477)	\$12.00
3741X	Turnbuckles, aluminum (red-anodized), camber links, front, 39mm (2), rear, 49mm (2) (assembled w/ rod ends & hollow balls)/wrench	\$22.00
2336X	Turnbuckles, aluminum (red-anodized), toe links, 61mm (2)(assembled with rod ends & hollow balls) (fits Stampede) (requires 5mm aluminum wrench #5477)	\$12.00
3645	Turnbuckles, toe link, 61mm (96mm center to center) (2) (assembled with rod ends and hollow balls) (fits Stampede)...	\$8.50

If you have questions or need technical assistance, call Traxxas at:

1-888-TRAXXAS

(1-888-872-9927) (U.S. residents only)

For orders, calls outside the U.S., and other information, call 972-549-3000, or fax to 972-549-3011 e-mail Traxxas at support@Traxxas.com

TRAXXAS.COM