

Name: BIGHT-E 3.0 Standard Setup		Date: _____	Event: _____
City: _____ State: _____		Track: _____	
Track Conditions: <input type="checkbox"/> Indoor <input type="checkbox"/> Tight <input type="checkbox"/> Smooth <input type="checkbox"/> Hard Packed <input type="checkbox"/> Blue Groove <input type="checkbox"/> Wet <input type="checkbox"/> Low Bite <input type="checkbox"/> High Bite <input type="checkbox"/> Outdoor <input type="checkbox"/> Open <input type="checkbox"/> Rough <input type="checkbox"/> Loose/Loamy <input type="checkbox"/> Dry <input type="checkbox"/> Dusty <input type="checkbox"/> Med Bite <input type="checkbox"/> Other _____			

Front Suspension

Toe: 1° Toe Out

Ride Height: 27mm

Camber: -2°

Caster: 27°

Wheel Hex: Standard Hex

Sway Bar: 2.7mm

Piston/Oil: 5 Hole 1.4mm/37.5 wt

Spring: Green 4.8 lbs.

Limiters/Droop: 105mm

Overall Shock Length: _____

Steering Ackerman: Long

Bump Steer: Up

Camber Link: 3

Shock Location: 1/Outside

Receiver Battery Type: _____

Differentials

Front: Standard Smart

Spring Wire Dia: _____

Qty of Springs: _____

Ramp Plate: _____

Grease: _____

Diff Fluid: 5000 wt

Center: Standard Smart

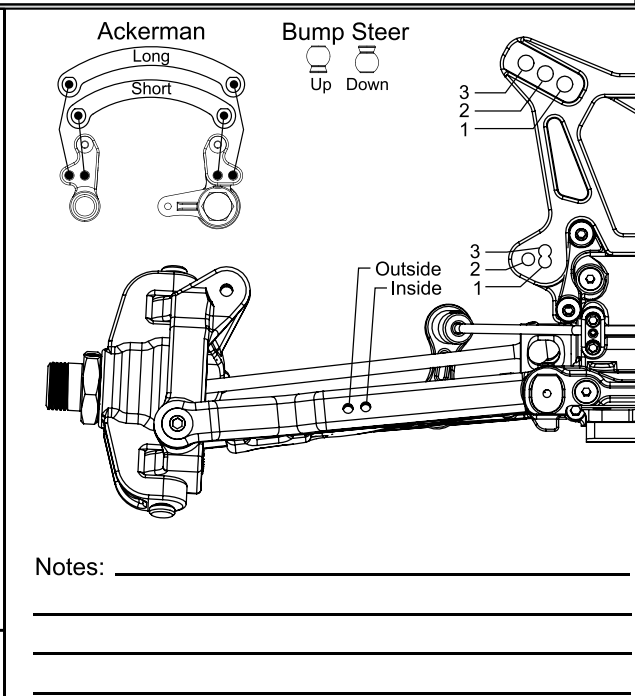
Spring Wire Dia: _____

Qty of Springs: _____

Ramp Plate: _____

Grease: _____

Diff Fluid: 5000 wt



Rear Suspension

Roll Center: HRC LRC

Toe: 3°

Anti-Squat: 3°

Ride Height: 27mm

Camber: -2

Rear Hub Spacing: Back

Wheel Hex: Standard Hex

Sway Bar: 2.5mm

Piston/Oil: 5 Hole 1.5mm/35 wt

Spring: Silver 3.6 lbs

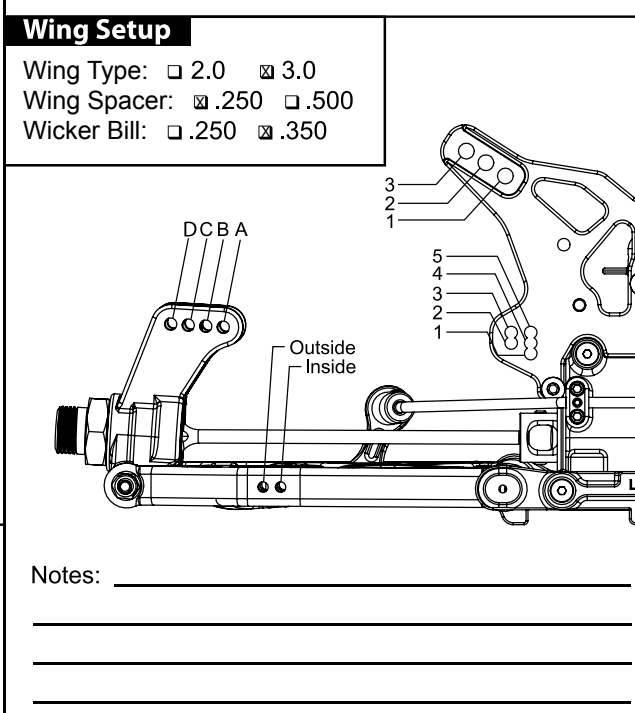
Limiters/Droop: 112.5mm

Overall Shock Length: _____

Camber Link: 4/C

Shock Location: 2/Outside

Rear Diff Fluid: 5000 wt



Electronics

Radio: _____ Servo Expo: _____

Servo: _____ Motor: _____

ESC: _____ Pinion: _____

Initial Brake: _____ Spur: _____

Drag Brake: _____ Battery: _____

Throttle Profile: _____

Timing Advance: _____

Throttle/Brake Expo: _____

Throttle/Brake EPA: _____

Tires	Type	Compound	Insert
Front:	_____	_____	_____
Rear:	_____	_____	_____
Notes:	_____		

Name: _____		Date: _____		Event: _____	
City: _____		State: _____		Track: _____	
Track	<input type="checkbox"/> Indoor	<input type="checkbox"/> Tight	<input type="checkbox"/> Smooth	<input type="checkbox"/> Hard Packed	<input type="checkbox"/> Blue Groove
Conditions	<input type="checkbox"/> Outdoor	<input type="checkbox"/> Open	<input type="checkbox"/> Rough	<input type="checkbox"/> Loose/Loamy	<input type="checkbox"/> Dry
	<input type="checkbox"/> Wet	<input type="checkbox"/> Low Bite	<input type="checkbox"/> High Bite	<input type="checkbox"/> Med Bite	<input type="checkbox"/> Other _____
	<input type="checkbox"/> Dusty				

Front Suspension

Toe: _____

Ride Height: _____

Camber: _____

Caster: _____

Wheel Hex: _____

Sway Bar: _____

Piston/Oil: _____

Spring: _____

Limiters/Droop: _____

Overall Shock Length: _____

Steering Ackerman: _____

Bump Steer: _____

Camber Link: _____

Shock Location: _____

Receiver Battery Type: _____

Differentials

Front: Standard Smart

Spring Wire Dia: _____

Qty of Springs: _____

Ramp Plate: _____

Grease: _____

Diff Fluid: _____

Center: Standard Smart

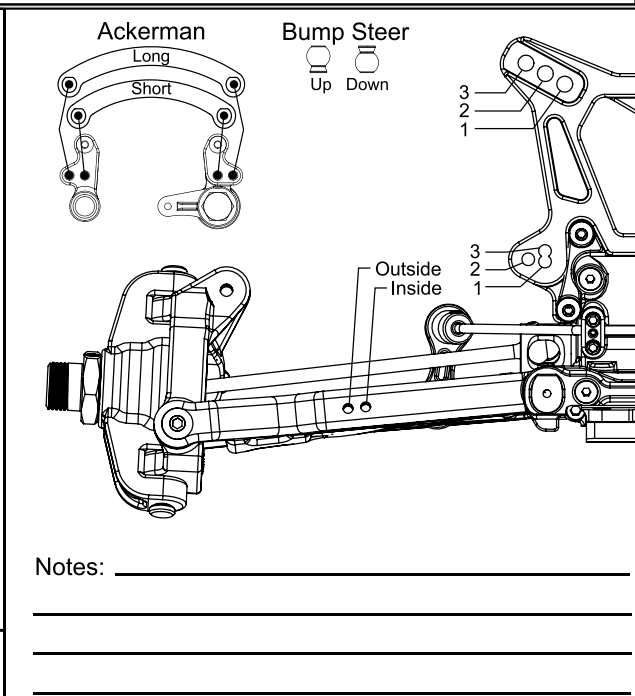
Spring Wire Dia: _____

Qty of Springs: _____

Ramp Plate: _____

Grease: _____

Diff Fluid: _____



Rear Suspension

Roll Center: HRC LRC

Toe: _____

Anti-Squat: _____

Ride Height: _____

Camber: _____

Rear Hub Spacing: _____

Wheel Hex: _____

Sway Bar: _____

Piston/Oil: _____

Spring: _____

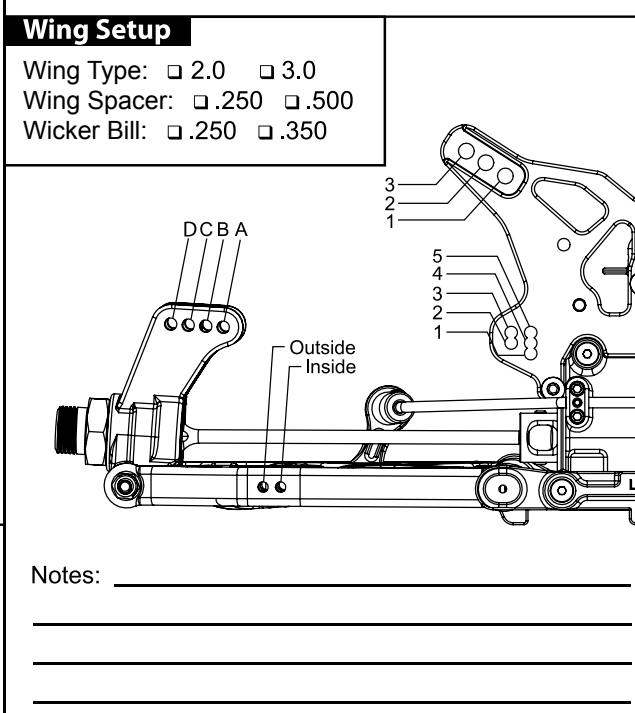
Limiters/Droop: _____

Overall Shock Length: _____

Camber Link: _____

Shock Location: _____

Rear Diff Fluid: _____



Electronics

Radio: _____ Servo Expo: _____

Servo: _____ Motor: _____

ESC: _____ Pinion: _____

Initial Brake: _____ Spur: _____

Drag Brake: _____ Battery: _____

Throttle Profile: _____

Timing Advance: _____

Throttle/Brake Expo: _____

Throttle/Brake EPA: _____

Tires

	Type	Compound	Insert
Front:	_____	_____	_____
Rear:	_____	_____	_____
Notes:	_____		

Name: _____		Date: _____		Event: _____	
City: _____		State: _____		Track: _____	
Track	<input type="checkbox"/> Indoor	<input type="checkbox"/> Tight	<input type="checkbox"/> Smooth	<input type="checkbox"/> Hard Packed	<input type="checkbox"/> Blue Groove
Conditions	<input type="checkbox"/> Outdoor	<input type="checkbox"/> Open	<input type="checkbox"/> Rough	<input type="checkbox"/> Loose/Loamy	<input type="checkbox"/> Dry
	<input type="checkbox"/> Wet	<input type="checkbox"/> Low Bite	<input type="checkbox"/> High Bite	<input type="checkbox"/> Med Bite	<input type="checkbox"/> Other _____
	<input type="checkbox"/> Dusty				

Front Suspension

Toe: _____

Ride Height: _____

Camber: _____

Caster: _____

Wheel Hex: _____

Sway Bar: _____

Piston/Oil: _____

Spring: _____

Limiters/Droop: _____

Overall Shock Length: _____

Steering Ackerman: _____

Bump Steer: _____

Camber Link: _____

Shock Location: _____

Receiver Battery Type: _____

Differentials

Front: Standard Smart

Spring Wire Dia: _____

Qty of Springs: _____

Ramp Plate: _____

Grease: _____

Diff Fluid: _____

Center: Standard Smart

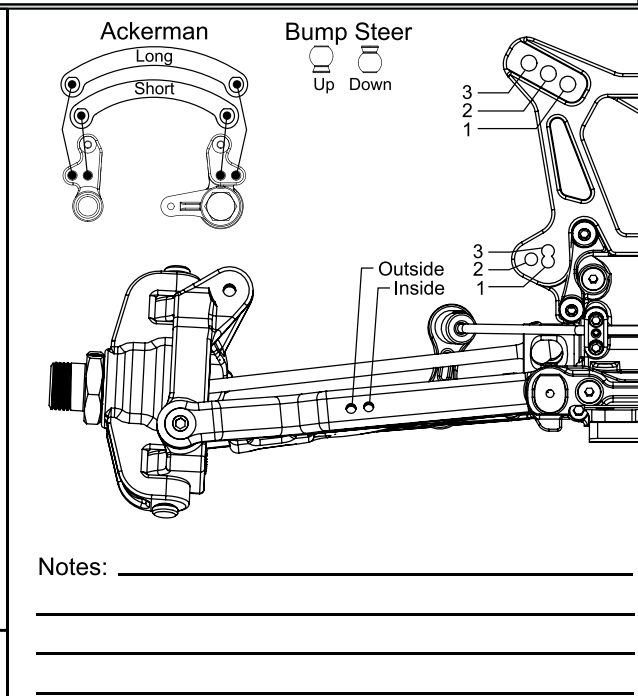
Spring Wire Dia: _____

Qty of Springs: _____

Ramp Plate: _____

Grease: _____

Diff Fluid: _____



Rear Suspension

Roll Center: HRC LRC

Toe: _____

Anti-Squat: _____

Ride Height: _____

Camber: _____

Rear Hub Spacing: _____

Wheel Hex: _____

Sway Bar: _____

Piston/Oil: _____

Spring: _____

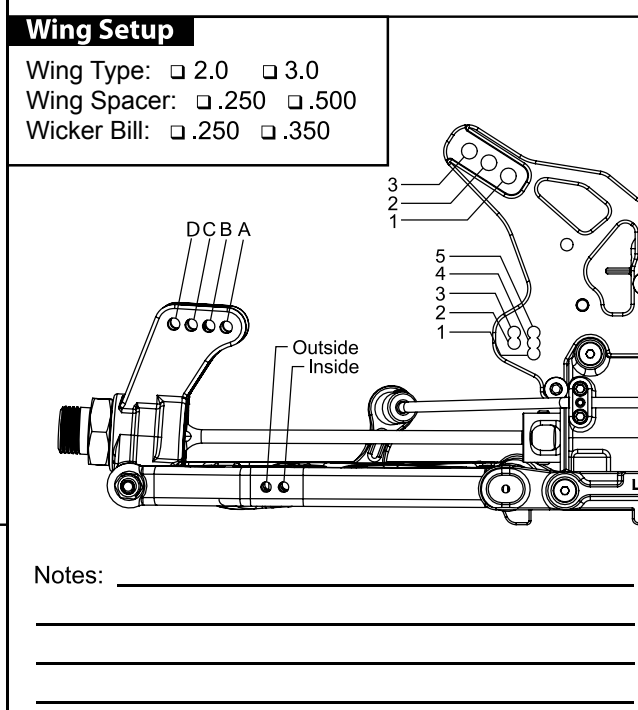
Limiters/Droop: _____

Overall Shock Length: _____

Camber Link: _____

Shock Location: _____

Rear Diff Fluid: _____



Electronics

Radio: _____ Servo Expo: _____

Servo: _____ Motor: _____

ESC: _____ Pinion: _____

Initial Brake: _____ Spur: _____

Drag Brake: _____ Battery: _____

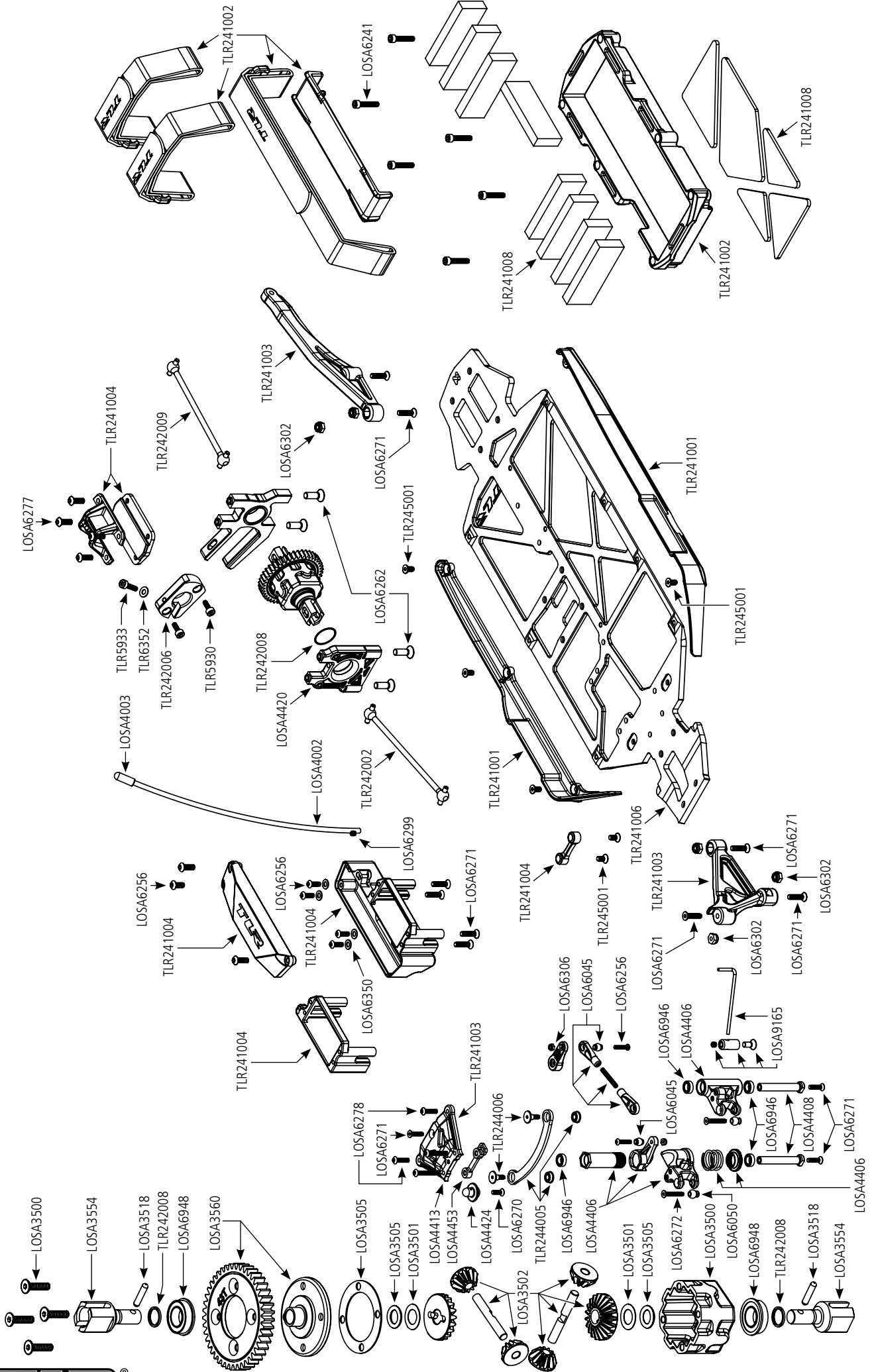
Throttle Profile: _____

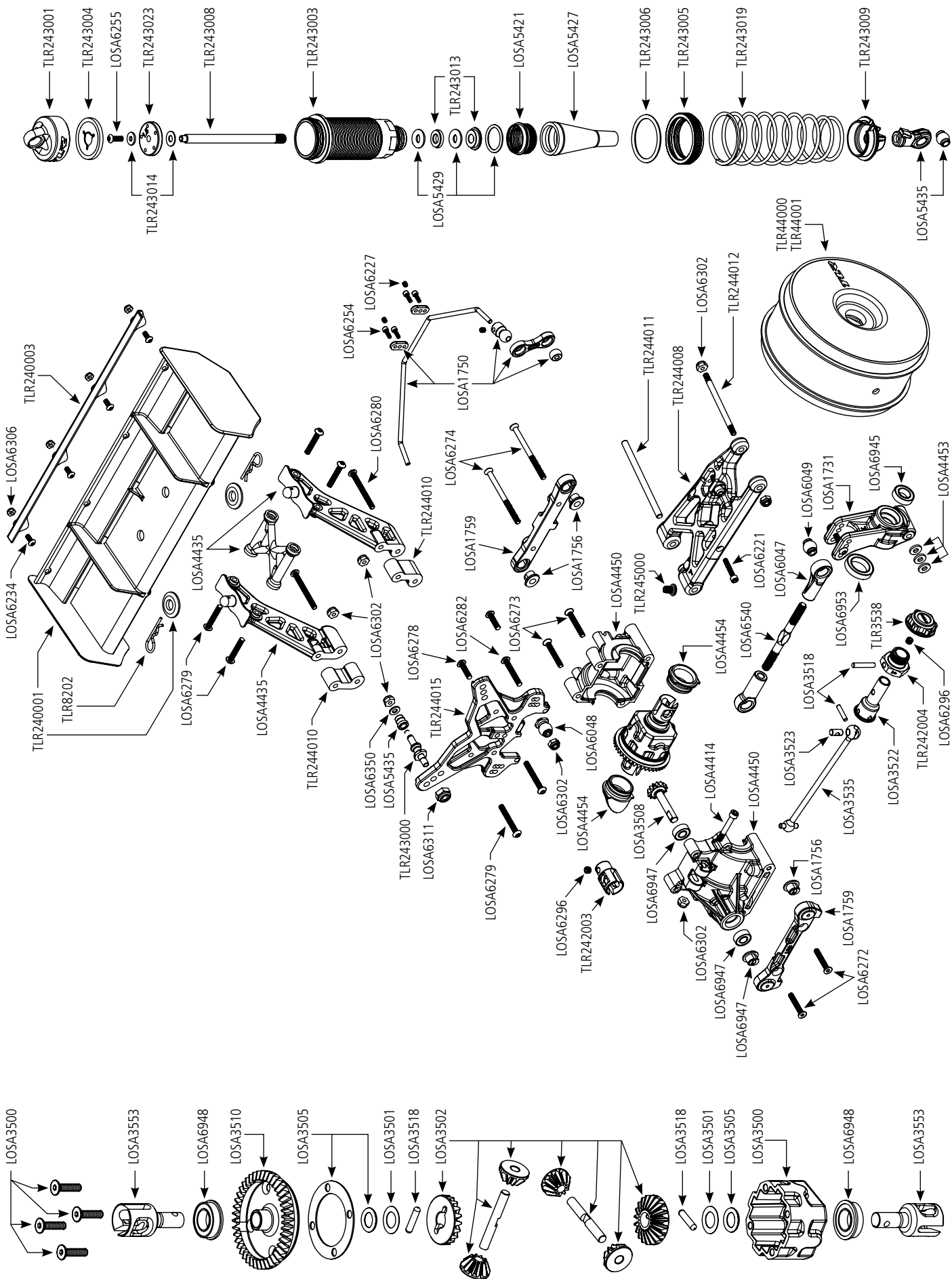
Timing Advance: _____

Throttle/Brake Expo: _____

Throttle/Brake EPA: _____

	Type	Compound	Insert
Front:	_____	_____	_____
Rear:	_____	_____	_____
Notes:	_____		





Part #	English	Deutsch	Français	Italiano	Español
LOSA1731	Rear Hub Carriers: 8B 2.0	Losi 8B 2.0: Radträger hinten	8B 2.0 - Fusées arrière	Mozzi posteriori: 8B 2.0	Manguetas traseras: 2.0
LOSA1750	Sway Bar Set: 8B/T	Losi 8B,8T: Stabilisator Set	8B/8T - Jeu de barres anti-roulis (6) + rotules et chapes	Set barra oscillante: 8B/T	Barras estabilizadora: 8B/T
LOSA1751	Sway Bar Set: 8B 2.0	Losi 8B 2.0: Stabilisator Set	8B 2.0 - Jeu de barres anti-roulis (3)	Set barra oscillante: 8B 2.0	Barras estabilizadoras: 8B 2.0
LOSA1754	Adjustable Front Hinge Pin Brace w/Inserts: 8B, 8T	Losi 8B/8T: Querlenkerhalter vorne einstellbar mit Einsätze Aluminium	8B/8T - Cales de pincement avant réglables en aluminium avec inserts	Guida perno cerniera regolabile anteriore c/inserti: 8B, 8T	Soportes ajustables pasadores delantero 8B, 8T
LOSA1756	Adjustable Hinge Pin Brace Inserts: 8B, 8T	Losi 8B/8T: Einsätze für Querlenkerhalter	8B/8T - Jeu d'inserts pour cales de pincement	Inserti guida perno cerniera regolabile: 8B, 8T	Casquillos pasadores: 8B/8T
LOSA1759	LRC Adjustable Rear Hinge Pin Brace w/Inserts: 8B, 8T	Losi 8B/T2.0: Querlenkerhalter hinten einstellbar m. Einsätze LRC	8B/8T/8B 2.0/8 EU - Cales de pincement réglables avec inserts	LRC Guida perno cerniera regolabile posteriore c/inserti: 8B, 8T	Soporte ajustable pasadores traseros LRC: 8B/8T
LOSA3500	Diff Housing F/R/C:8B,8T	Losi 8B,8T: Diff-Gehäuse F/Z/H	8B/8T - Corps de diff F/R/C	Scatola diff. F/R/C:8B,8T	Caja diferencial delantera/trasera/central: 8B/8T
LOSA3501	Differential Shims, 6x11x.2mm (12): 8B 2.0	Losi 8B 2.0: Diff-Unterlegscheiben 6x11x.2mm	8B 2.0 - Cales de différentiel 6x11x.2mm	Spessori diff., 6x11x.2mm (12): 8B 2.0	Arandelas para diferencial, 6x11x0,2mm: 8B 2.0
LOSA3502	Differential Gear & Shaft Set: 8B, 8T	Losi 8B, 8T: Diff Zahnr. u. Wellen Set	8B/8T - Pignon & axes de diff	Set ingranaggio e albero diff.: 8B, 8T	Planetarios, satélites y pasadores diferencial: 8B,8T
LOSA3505	Differential Seal Set: 8B/T,LST, XXL	Losi 8B/T,LST: Diff-Dichtungs Set	8B/8T/LST/XXL/MB - Jeu de joints de différentiel	Set guarnizione diff.: 8B/T, LST, XXL	Juntas diferencial: 8B/8T/LST/XXL
LOSA3508	Front/Rear Differential Pinion Gear, 13T: 8B	Losi 8B: 13 T Ritzel F/H Diff.	8B - Pignon d'attaque av./arr. de différentiel	Pignone diff. anter./poster., 13T: 8B	Piñón diferencial delantero/trasero, 13T: 8B/8T
LOSA3509	Front Differential Ring Gear, 43T: 8B	Losi 8B: Tellerrad 43T Diff vorne	8B - Couronne diff av.	Ingranaggio ad anello diff. anteriore, 43T: 8B	Corona de diferencial delantero, 43T: 8B/8T
LOSA3510	Rear Differential Ring Gear: 8B	Losi 8B: Tellerrad 43T Diff hinten	8B - Couronne de diff arr.	Ingranaggio ad anello diff. posteriore: 8B	Corona de diferencial trasero: 8B
LOSA3518	Drive Pin Set	Losi 8B/8T: Mitnehmerstifte Set	8B/8T - Set de diverses goupilles	Set guida perno	Juego de pasadores cardán
LOSA3522	F/R CV Driveshaft Axles (2): 8B, 8T	Losi 8B/8T: F/H CV Antriebsachse Achse(2)	8B/8T - Axes de cardans F/R CV(2)	Assi trasmissione F/R CV (2): 8B, 8T	Ejes cardán delantero/trasero (2): 8B/8T
LOSA3523	F/R CV Driveshaft Coupling Set: 8B,8T	Losi 8B / 8T: F/H CV Antriebsachse Coupling Set	8B/8T - Coupleurs de cardans F/R CV (2) + goupilles (3)	Set giunto trasmissione F/R CV: 8B,8T	Unión de eje cardán delantero/trasero (2): 8B/8T
LOSA3530	Wheel Hexes (Pr) Hard Anodized: 8B,8T	Losi 8B /8T: Radmitnehmer (Pr) gehärtet	8B/8T - Hexagone de jantes anodisé dur (2)	Esagoni ruote (Pr) anodizzati pesantemente: 8B,8T	Hexágonos de rueda (2), anodizado duro: 8B/8T
LOSA3534	F/R CV Driveshaft Set(2): 8 2.0	Losi 8B2: Antriebswellenset Vorne/Hinten (2)	8B 2.0 - Cardan CVD av./ arr. (2)	Set trasmissione F/R CV (2): 8 2.0	Juego cardán delantero/trasero (2): 8B 2.0
LOSA3535	Front/Rear CV Drive Shafts (2): 8B 2.0	Losi 8B 2.0: Antriebswellenset vorne/hinten	8B 2.0 - Tiges de cardans CVD av/arr. (2)	Alberi trasmissione anter./ poster. CV (2): 8B 2.0	Ejes cardán delantero/trasero (2): 8B 2.0
LOSA3553	Front/Rear HD Lightened Outdrive Set (2): 8B, 8T	Losi 8B, 8T: Antriebsklauenset Leicht (2)	8B/8T - Noix de cardan allégées HD (2)	Set trascinateur alleggerito anter./poster. (2): 8B, 8T	Vaso aligerado diferencial delantero/trasero (2): 8B, 8T
LOSA3554	Center HD Lightened Outdrive Set (2): 8B, 8T	Losi 8B 8T: Antriebsklauen für Mitteldiff, Leichtbau (2)	Noix de cardans allégées HD (2)	Set trascinateur alleggerito centrale HD (2): 8B, 8T	Vasos aligerados diferencial central (2): 8B, 8T
LOSA3560	43T Spur Gear, Plastic	43 Z Zahnrad Kunststoff	Couronne 43T en plastique	Corona 43T, plastica	Corona principal 43T, plástico
LOSA4002	Antenna Kit	Losi Antennen Kit	Tube d'antenne avec fixations	Kit antenna	Kit de antena
LOSA4003	Antenna Caps	Losi Antennen Kappe	Capuchons d'antenne (8)	Tappi antenna	Tapones de antena
LOSA4406	Steering Bellcranks Plastics: 2.0	Losi 2.0: Lenkhebel Kunststoff & Servo Saver	8B 2.0 - Palonnier de direction, renvois & Sauve servo	Bracci sterzo in plastica: 2.0	Soporte plásticos de dirección 2.0
LOSA4408	Steering Post Set: 8B,8T	Losi 8B,8T: Lenkhebelhalter	8B/8T - Pivot de direction (2)	Set comandi sterzo: 8B,8T	Postes salvaservos: 8B/8T
LOSA4420	Center Differential Mount & Brace Set: 8B 2.0	Losi: 8B, 8T: Halter Mitteldiff.	8B 2.0 - Support de diff cent. & entretoises	Set supporti diff. e tutori: 8B 2.0	Bancada diferencial central: 8B 2.0
LOSA4424	Body Posts & Tank Mounts: 8B, 8T	Losi 8B/8T: Karosserie Halter und Tank Befestigung	8B/8T - Plots de carrosseries & support de réservoir	Appoggi carrozzeria & supporti serbatoio: 8B, 8T	Soportes de carrocería y soportes de depósito: 8B/8T
LOSA4435	Wing Mount Set: 8B, 8T	Losi 8B,8T: Flügelhalter	8B/8T - Support d'aileron complet	Set supporto alettone: 8B, 8T	Soporte de alerón: 8B/8T
LOSA4450	Rear Gear Box Set: 2.0	Losi 2.0: Getriebegehäuse hinten	8B 2.0 - Carter de différentiel arr.	Set scatola ingran. poster.: 2.0	Caja de diferencial trasero: 2.0

Part #	English	Deutsch	Français	Italiano	Español
LOSA4452	Gear Box Shims: 2.0	Losi 2.0: Getriebegehäuse Unterlegscheiben	8B 2.0 - Rondelles de calage	Spessori scatola ingranaggi: 2.0	Arandelas de caja de diferencial: 2.0
LOSA4453	Chassis Spacer/Cap Set: 2.0	Losi 2.0: Chassis Distanzstücke/ Kappen Set	8B 2.0 - Diverses entretoises en plastique	Set distanziale telaio/tappi: 2.0	Espaciadores: 2.0
LOSA4454	Rear Gear Box Bearing Inserts, Aluminum: 8B, 8T 2.0	Losi 8B 2.0: Lagerschale Einsätze für Getriebegehäuse hinten Alu	8B/8T 2.0 - Inserts de Roulements de diff arr. en aluminium + cales	Inserti cuscinetti riduttore posteriore, alluminio: 8B, 8T 2.0	Casquillo aluminio caja diferencial trasero: 8B, 8T, 2.0
LOSA5421	15mm Shock Cap Bottoms (2): 8B 8T	Losi 8B 8T: Stoßdämpferendkappen unten 15mm (2)	8B/8T - Bouchons inférieurs 15mm (2)	Tappi inferiori ammortizzatori 15mm (2): 8B 8T	Tapas inferiores del amortiguador de 15mm (2): 8B/8T
LOSA5427	15mm Shock Boot Set: 8T 2.0	Losi 8T 2.0: Stoßdämpfermanschette	8T 2.0 - Set de chaussettes d'amortisseurs diam 15mm	Set piede ammortizzatore 15mm: 8T 2.0	Protector amortiguador 15mm: 8T 2.0
LOSA5429	Shock O-ring Set: 8B,8T	Losi 8B,8T: Stoßdämpfer O-Ring	8B/8T - Jeu de joints toriques d'amortisseurs	Set o-ring ammortizz.: 8B,8T	Tóricas amortiguador: 8B/8T
LOSA5435	15mm Shock Ends, Cups, Bushing:8B 2.0	Losi 8B 2.0: Kugelendpfanne, Kugel, Buchsen und Feder-teller für 15mm Stoßdämpfer	8B 2.0 - Chappes et coupelles d'amortisseurs 15mm	Boccole, terminali, coppe ammortizz. 15mm: 8B 2.0	Plásticos amortiguador de 15mm: 8B 2.0
LOSA6044	HD Rod Ends & Balls: 8B, 8T	Losi 8T: HD Kugel und Kugelpfanne	8B/8T - Chapes renforcées + rotules (6)	Terminali e sfere aste HD: 8B, 8T	Bolas y rótulas de dirección: 8B/8T
LOSA6045	HD Steering Link Set: 2.0	Losi 8B,8T: Lenkgestänge Set	8B 2.0 - Tringlerie courte de direction	Set collegamenti sterzo HD: 2.0	Juego de varillaje de dirección: 2.0
LOSA6046	4mm Rod End Set (8): 8B, 8T	Losi 8B 8T: 4mm Kugelköpfe Set (8)	8B/8T - Chapes 4mm (8)	Set terminali aste 4mm (8): 8B, 8T	Juego rótulas 4mm (8): 8B/8T
LOSA6047	5mm Rod End Set: 8B, 8T	Losi 8B 8T: 5mm Kugelköpfe Set (8)	8B/8T - Chapes 5mm (8)	Set terminali aste 5mm: 8B, 8T	Rotulas suspensión 5mm: 8B/8T
LOSA6048	Suspension Balls, 8.8mm Flanged	Losi Kugelköpfe mit Flansch 8,8mm	8B/8T - Rotules épaulées 8.8mm (4)	Sfere sospensioni, 8.8mm flangiata	Bolas c/tuerca suspensión 8.8mm
LOSA6049	Suspension Balls, 8.8mm	Losi Kugelköpfe 8,8mm	8B/8T - Rotules 8.8mm (4)	Sfere sospensioni, 8.8mm	Bolas suspensión 8.8mm
LOSA6050	Steering Ball Set 6.8mm: 8B, 8T	Losi 8B,8T: Kugelkopf Set 6,8mm	8B/8T - Rotules de direction 6.8mm (2 paires)	Set sfere sterzo 6.8mm: 8B, 8T	Bolas dirección 6.8mm: 8B/8T
LOSA6221	4-40 x 5/8" Caphead Screws (6)	Losi 4-40 x 5/8 Zylinderkopfschrauben (6)	Vis chc 4-40 x 5/8 (6)	4-40 x 5/8" Viti a brugola (6)	Tornillos con cabeza tipo Allen 4-40 x 5/8" (6)
LOSA6227	Hardened Setscrews, 4-40 (10)	Losi Madenschrauben gehärtet 4-40 (10)	Vis sans tête 4-40 (10)	Grani induriti, 4-40 (10)	Tornillos fijación tipo Allen 4-40 (10)
LOSA6228	Hardened Setscrews, 5-40 (10)	Losi Madenschrauben gehärtet 5-40 (10)	Vis sans tête 5-40 (10)	Grani induriti, 5-40 (10)	Tornillos fijación tipo Allen 5-40 (10)
LOSA6240	5-40 x 1/2" Caphead Screws (8)	Losi 5-40 x 1/2 Zylinderkopfschrauben (8)	Vis chc 5-40 x 1/2 vis (8)	5-40 x 1/2" viti a brugola (8)	Tornillos con cabeza tipo Allen 5-40 x 1/2" (8)
LOSA6251	5-40 x 3/16" Setscrews (10)	Losi 5-40 x 3/16 Madenschrauben (10)	Vis sans tête 5-40 x 3/16" (10)	5-40 x 3/16" grani (10)	Tornillos 5-40 x 3/16" (10)
LOSA6254	2-56 x 1/4" Caphead Screws (10)	Losi 2-56 x 1/4 Zylinderkopfschrauben (10)	Vis chc 2-56 x 1/4 (10)	2-56 x 1/4" Viti a brugola (10)	Tornillos con cabeza tipo Allen 2-56 x 1/2" (10)
LOSA6255	2-56 x 1/4" Button Head Screws (10)	Losi 2-56 x 1/4 Rundkopfschrauben (10)	Vis tête bombée 2-56 x 1/4 (10)	2-56 x 1/4" Viti a testa bombata (10)	Tornillos con cabeza semi esférica 2-56 x 1/4" (10)
LOSA6256	4-40 x 1/2" Button Head Screws (6)	Losi 4-40 x 1/2 Rundkopfschrauben (6)	Vis tête bombée 4-40 x 1/2 (6)	4-40 x 1/2" Viti a testa bombata (6)	Tornillos con cabeza semi esférica 4-40 x 1/2" (6)
LOSA6262	8-32 x 1/2" Flat Head Screws (10)	Losi 8-32x1/2 Rundkopfschrauben (10)	Vis à tête fraisée 8-32 x 1/2 (10)	8-32 x 1/2" Viti a testa piatta (10)	Tornillos con cabeza plana 8-32 x 1/2" (10)
LOSA6263	8-32 x 3/4" Button Head Screws (8)	Losi 8-32 x 3/4 Rundkopfschrauben (8)	Vis tête bombée 8-32 x 3/4 (8)	8-32 x 3/4" Viti a testa bombata (8)	Tornillos con cabeza semi esférica 8-32 x 3/4" (8)
LOSA6266	8-32 x 5/8" Button Head Screws (8)	Losi 8-32 x 5/8 Rundkopfschrauben (8)	Vis tête bombée 8-32 x 5/8" (8)	8-32 x 5/8" Viti a testa bombata (8)	Tornillos con cabeza plana 8-32 x 5/8" (8)
LOSA6270	5-40 x 3/8" Flat Head Screws (10)	Losi 5-40 x 3/8 Flachkopfschrauben (10)	Vis à tête fraisée 5-40 x 3/8 (10)	5-40 x 3/8" Viti a testa piatta (10)	Tornillos con cabeza plana 5-40 x 3/8" (10)
LOSA6271	5-40 x 1/2" Flat Head Screws (10)	Losi 5-40 x 1/2 Flachkopfschrauben (10)	Vis à tête fraisée 5-40 x 1/2 (10)	5-40 x 1/2" Viti a testa piatta (10)	Tornillos con cabeza plana 5-40 x 1/2" (10)
LOSA6272	5-40 x 3/4" Flat Head Screws (10)	Losi 5-40 x 3/4 Flachkopfschrauben (10)	Vis à tête fraisée 5-40 x 3/4 (10)	5-40 x 3/4" Viti a testa piatta (10)	Tornillos con cabeza plana 5-40 x 3/4" (10)
LOSA6273	5-40 x 7/8" Flat Head Screws (10)	Losi 5-40 x 7/8 Flachkopfschrauben (10)	Vis à tête fraisée 5-40 x 7/8 (10)	5-40 x 7/8" Viti a testa piatta (10)	Tornillos con cabeza plana 5-40 x 7/8" (10)
LOSA6274	5-40 x 1 7/8" Flat Head Screws (2)	Losi 5-40 x 1 7/8 Flachkopfschrauben (2)	Vis à tête fraisée longues 5-40 x 1 7/8 (2)	5-40 x 1 7/8" Viti a testa piatta (2)	Tornillos con cabeza plana 5-40 x 1" (2)

Part #	English	Deutsch	Français	Italiano	Español
LOSA6275	5-40 x 5/8" Flat Head Screws (10)	Losi 5-40 X 5/8 Flachkopfschrauben (10)	Vis à tête fraisée 5-40 X 5/8 (10)	5-40 x 5/8" Viti a testa piatta (10)	Tornillos con cabeza plana 5-40 x 5/8" (10)
LOSA6277	5-40 x 3/8" Button Head Screws (8)	Losi 5-40 x 3/8 Rundkopfschrauben (8)	Vis tête bombée 5-40 x 3/8 (8)	5-40 x 3/8" Viti a testa bombata (8)	Tornillos con cabeza semi esférica 5-40 x 3/8" (8)
LOSA6278	5-40 x 1/2" Button Head Screws (8)	Losi 5-40 x 1/2 Rundkopfschrauben (8)	Vis tête bombée 5-40 x 1/2 (8)	5-40 x 1/2" Viti a testa bombata (8)	Tornillos con cabeza semi esférica 5-40 x 1/2" (8)
LOSA6279	5-40 x 3/4" Button Head Screws (8)	Losi 5-40 x 3/4 Rundkopfschrauben (8)	Vis tête bombée 5-40 x 3/4 (8)	5-40 x 3/4" Viti a testa bombata (8)	Tornillos con cabeza semi esférica 5-40 x 3/4" (8)
LOSA6280	5-40 x 1" Button Head Screws (4)	Losi 5-40 x 1 Rundkopfschrauben (4)	Vis tête bombée 5-40 x 1 (4)	5-40 x 1" Viti a testa bombata (4)	Tornillos con cabeza semi esférica 5-40 x 1" (4)
LOSA6281	5-40x20mm BH Screws (10)	Losi 5-40 x 20mm Rundkopfschrauben (10)	Vis tête bombée 5-40 x 20mm (10)	5-40x20mm Viti BH (10)	Tornillos con cabeza semi esférica 5-40x20mm (10)
LOSA6284	5-40 x 20mm Button Head Screw, LH Thread (10): 8B	Losi 5-40 x 20mm Rundkopfschrauben Linksgewinde (10)	Vis CHC pas inverse 5-40x20mm (10)	5-40 x 20mm Viti a testa bombata, filetto LH (10): 8B	Tornillos con cabeza semi esférica 5-40 x 20mm, Rosca izquierda (10): 8B
LOSA6296	8-32 1/8" Flat Point Set-screws (8)	Losi 8-32 x 1/8 Madenschraube (8)	Vis pointeau bout plat 8-32 x 1/8 (8)	8-32 1/8" Grani a punta piatta (8)	Tornillos de fijación con cabeza plana 8-32 x 1/8" (8)
LOSA6297	5-40 x 1/8" Flat Point Setscrews (8)	Losi 5-40 x 1/8 Madenschraube 8	Vis pointeau bout plat 5-40 x 1/8 (8)	5-40 x 1/8" Grani a punta piatta (8)	Tornillos de fijación con cabeza plana 5-40 x 1/8" (8)
LOSA6298	8-32 x 1/8" Cup Point Setscrews (8)	Losi 8-32 x 1/8 Madenschraube (8)	Vis pointeau bout cuvette 8-32 x 1/8 (8)	8-32 x 1/8" Grani a punta concava (8)	Tornillos de fijación con punta plana 8-32 x 1/8" (8)
LOSA6299	5-40 x 1/8" Cup Point Setscrews (8)	Losi 5-40 x 1/8 Madenschraube (8)	Vis pointeau bout cuvette 5-40 x 1/8 (8)	5-40 x 1/8" Grani a punta concava (8)	Tornillos de fijación con punta plana 5-40 x 1/8" (8)
LOSA6302	5-40 Locking Nuts, Steel (4)	Losi Stopmmutter 5-40 Stahl (4)	Ecrou Frein acier 5-40 (4)	5-40 Dadi autobloccanti, acciaio (4)	Tuercas de seguridad de acero 5-40 (4)
LOSA6306	Aluminum Mini-Nuts (10)	Losi 4-40 Aluminium Mini-Muttern (10)	Mini écrou frein 4-40 (10)	Mini dadi, alluminio (10)	Mini tuercas de aluminio 4-40 (10)
LOSA6311	8-32 Lock Nuts, Steel (10)	Losi 4-40 Aluminium Mini-Muttern (10)	8-32 acier Nylstop (10)	8-32 Dadi autobloccanti, acciaio (10)	Tuercas de seguridad de acero 8-32 (10)
LOSA6350	#4 and 1/8" Hardened Washers	Losi Unterlegscheiben #4 and 1/8 gehärtet	Rondelles #4 et 1/8	#4 and 1/8" Rondelle indurite	Arandelas #4 y 1/8"
LOSA6540	Turnbuckles 5mm x 60mm w/ ends: 8	Losi 8: Gewindestift L/R 5mmx60mm	8B - Biellettes 5mmx 60mm avec rotules (2)	Tenditori 5mm x 60mm w/ ends: 8	Tirantes 5mm x 60mm con rotulas: 8
LOSA6542	Turnbuckles 4mm x 60mm w/ Ends: 8	Losi 8: Gewindestift L/R 4mmx60mm	8B - Biellettes 4mmx 60mm avec rotules (2)	Tenditori 4mm x 60mm w/ Ends: 8	Tirantes 4mm x 60mm con rotulas: 8
LOSA6945	8x14x4 Rubber Sealed Ball Bearings (4)	Losi 8x14x4 Kugellager gekapselt (4)	Roulements étanches 8x14x4 (4)	8x14x4 Cuscinetti a sfera sigillati in gomma (4)	Rodamientos sellados 8x14x4 (4)
LOSA6946	6x10x3 Rubber Sealed Ball Bearings (4)	Losi 6x10x3 Kugellager gekapselt (4)	Roulements étanches 6x10x3 (4)	6x10x3 Cuscinetti a sfera sigillati in gomma (4)	Rodamientos sellados 6x10x3 (4)
LOSA6947	5x11x4 Rubber Sealed Ball Bearings (4)	Losi 5x11x4 Kugellager gekapselt (4)	Roulements étanches 5x11x4 (4)	5x11x4 Cuscinetti a sfera sigillati in gomma (4)	Rodamientos sellados 5x11x4 (4)
LOSA6948	8x14x4 Flanged Rubber Seal Ball Bearings (4)	Losi 8x14x4 Kugellager (4)	Roulements étanches 8x14x4 (4)	8x14x4 Cuscinetti a sfera flangiati sigillati in gomma (4)	Rodamientos con pestaña sellados 8x14x4 (4)
LOSA6953	1/2" x 3/4" Rubber Sealed Ball Bearings (2)	Losi 1/2 x 3/4 Kugellager gekapselt (2)	Roulements étanches 1/2 x 3/4 (2)	1/2" x 3/4" Cuscinetti a sfera sigillati in gomma (2)	Rodamientos sellados 1/2" x 3/4" (2)
LOSA99040	Metal Servo Arm Insert, 23S Spline, Airtronics (2)	Losi Metall Servohorneinsatz/ 23S Spline/ Airtronics (2)	Insert 23s Aitronics en métal pour bras de servo (2)	Inserto metallico squadretta servo, 23S scanalature, Airtronics (2)	Casquillo brazo servo metal, 23S, Airtronics (2)
LOSA99041	Metal Servo Arm Insert, 23 Spline, JR (2)	Losi Metall Servohorneinsatz/ 23 Spline/ JR (2)	Insert 23s JR en métal pour bras de servo (2)	Inserto metallico squadretta servo, 23 scanalature, JR (2)	Casquillo brazo servo metal, 23, JR (2)
LOSA99042	Metal Servo Arm Insert, 24 Spline, Hitec (2)	Losi Metall Servohorneinsatz/ 24 Spline/ Hitec (2)	Insert 24s Hitec en métal pour bras de servo (2)	Inserto metallico squadretta servo, 24 scanalature, Hitec (2)	Casquillo brazo servo metal, 24, Hitec (2)
LOSA99043	Metal Servo Arm Insert, 25 Spline, Futaba (2)	Losi Metall Servohorneinsatz/ 25 Spline/ Futaba (2)	Insert 25s Futaba en métal pour bras de servo (2)	Metal Servo Arm Insert, 25 Spline, Futaba (2)	Casquillo brazo servo metal, 25, Futaba (2)
TLR240001	Wing, Black 8IGHT-E 3.0	TLR 8IGHT-E 3.0 Spoiler Schwarz	8B 3.0 - Aileron noir	Alettone, nero 8IGHT-E 3.0	Alerón negro 8IGHT-E 3.0
TLR240003	Wickerbill Set (2): 8B 3.0	TLR 8IGHT-E 3.0: Wickerbill Set (2)	8B 3.0 - Jeu de rajouts d'aileron (2)	Set fissaggio alettone (2): 8B 3.0	Juego solapas (2): 8B 3.0
TLR240004	Body, Clear: 8E 3.0	TLR 8E 3.0: Karosserie klar	8E 3.0 - Carrosserie transparente	Carrozzeria, trasparente	Carrocería: 8E 3.0

Part #	English	Deutsch	Français	Italiano	Español
TLR241001	Side Guards: 8E 3.0	TLR 8E 3.0: Seitenaufprallschutz	8E 3.0 - Protections latérales	Protezioni laterali	Protectores laterales: 8E 3.0
TLR241002	Battery Box: 8E 3.0	TLR 8E 3.0: Akkubox	8E 3.0 - Boîtier pour batterie	Scatola batteria	Caja de batería: 8E 3.0
TLR241003	Chassis Braces, Top Plate: 8E 3.0	TLR 8E 3.0: Chassishalter oben	8E 3.0 - Renforts de châssis, platine sup	Montanti telaio, piastra superiore	Brazos chasis, tapa superior: 8E 3.0
TLR241004	Servo Mount, Top Brace: 8E 3.0	TLR 8E 3.0: Servoträger oben	8E 3.0 - Support de servo, renfort supérieur	Supporto servo, montante superiore	Soporte servo, brazo superior: 8E 3.0
TLR241005	Front Bumper: 8E 3.0	TLR 8E 3.0: Stoßfänger vorne	8E 3.0 - Pare choc avant	Paraurti anteriore	Paragolpes delantero: 8E 3.0
TLR241006	TFT Chassis: 8E 3.0	TLR 8E 3.0: TFT Chassis	8E 3.0 - Châssis TFT	Telaio TFT	Chasis TFT: 8E 3.0
TLR241007	Chassis Foam: 8E 3.0	TLR 8E 3.0: Chassis Schaumstoffeinleger	8E 3.0 - Mousses de châssis	Spugna telaio	Almohadillas chasis: 8E 3.0
TLR241008	Battery Foam: 8E 3.0	TLR 8E 3.0: Akku Schaumstoffeinleger	8E 3.0 - Mousse de batterie	Spugna batteria	Almohadillas batería: 8E 3.0
TLR242000	Front Gear Box Set: 8B 3.0	TLR 8IGHT-E 3.0: Getriebekasten Vorne	8B 3.0 - Boitier de transmission avant	Set scatola riduttore anter.: 8B 3.0	Caja diferencial delantero: 8B 3.0
TLR242001	Front Center Dogbone: 8B 3.0	TLR 8IGHT-E 3.0: Antriebsknochen Vorne/Mitte	8B 3.0 - Cardan central avant	Giunto cardanico anter./centr.: 8B 3.0	Palier central delantero: 8B 3.0
TLR242003	Coupler Outdrive (2): 8B 3.0	TLR 8IGHT-E 3.0: Kupplungsstück für Antriebsklaue (2)	8B 3.0 - Noix d'accouplement de cardan (2)	Accoppiatore trascinatore (2): 8B 3.0	Vasos palier (2): 8B 3.0
TLR242004	Wheel Hexes, +1mm Wider (4): 8IGHT Buggy 3.0	TLR 8ight 3.0: Radmitnehmer 1mm verbreitert (4)	8B 3.0 - Hexagones de roues +1mm (4)	Esagoni ruote, +1mm più larghi (4): 8IGHT Buggy 3.0	Hexagonos de rueda, +1mm ancho (4): 8IGHT 3.0
TLR242006	Motor Adapter: 8E 3.0	TLR 8E 3.0: Motor Adapter	8E 3.0 - Adaptateur de moteur	Adattatore motore: 8E 3.0	Adaptador motor: 8E 3.0
TLR242007	Motor Mount: 8E 3.0	Motorhalter: 8E 3.0	8E 3.0 - Support moteur	Supporto motore: 8E 3.0	Bancada motor: 8E 3.0
TLR242008	Shim and Spacer Set: 8E 3.0	TLR 8E 3.0: Unterlegscheibe und Distanzringe	8E 3.0 - Set de cales et entretoises	Set rasamenti e distanziali: 8E 3.0	Arandelas y espaciadores: 8E 3.0
TLR242009	Rear Center Dog Bone: 8E 3.0	TLR 8E 3.0: Antriebswelle hinten	8E 3.0 - Cardan central arrière	Giunto centrale posteriore: 8E 3.0	Palier central trasero: 8E 3.0
TLR243000	Shock Stand-off Set (2): 8B 3.0	TLR 8IGHT-E 3.0: Stehbolzen für Dämpferbefestigung (2)	8B 3.0 - Entretoises d'amortisseurs (2)	Stand-off ammortizzatore Set (2): 8B 3.0	Soporte amortiguador (2): 8B 3.0
TLR243001	16mm Shock Cap (2): 8B 3.0	TLR 8IGHT-E 3.0: 16mm Dämpferkappe (2)	8B 3.0 - Bouchons d'amortisseurs (2)	16mm tappo ammortizz. (2): 8B 3.0	Tapón amortiguador 16mm (2): 8B 3.0
TLR243002	16mm Shock Body Set, Front (2): 8B 3.0	TLR 8IGHT-E 3.0: 16mm Dämpfergehäuse Vorne (2)	8B 3.0 - Corps d'amortisseurs avant (2)	16mm Set corpo ammortizzatore, anter. (2): 8B 3.0	Cuerpo amortiguador 16mm delantero (2): 8B 3.0
TLR243003	16mm Shock Body Set, Rear (2): 8B 3.0	TLR 8IGHT-E 3.0: 16mm Dämpfergehäuse Hinten (2)	8B 3.0 - Corps d'amortisseurs arrière (2)	16mm Set corpo ammortizzatore, poster. (2): 8B 3.0	Cuerpo amortiguador 16mm trasero (2): 8B 3.0
TLR243004	16mm Shock Bladders (4): 8B 3.0	TLR 8IGHT-E 3.0 :16mm Dämpfermembrane (4)	8B 3.0 - Membranes d'amortisseurs (4)	16mm vesciche ammortizz. (4): 8B 3.0	Compensador volumen 16mm (4): 8B 3.0
TLR243005	16mm Shock Nuts & O-rings: 8B 3.0	TLR 8IGHT-E 3.0: Dämpfermutter und Dichtringe	8B 3.0 - Bagues d'amortisseurs et joints toriques (4)	16mm dadi & o-ring ammortizz.: 8B 3.0	Tuerca ajuste amortiguador con tórica 16mm: 8B 3.0
TLR243006	16mm Shock Nut O-rings (4): 8B 3.0	TLR 8IGHT-E 3.0: Dichtring für Dämpfermutter (4)	8B 3.0 - Erou et joints toriques (4)	16mm dadi o-ring ammortizz. (4): 8B 3.0	Tórica tuerca ajuste amortiguador (4) 16mm: 8B 3.0
TLR243007	16mm Shock Shaft, 4mm x 54mm, TiCnFront: 8B 3.0	TLR 8IGHT-E 3.0: Kolbenstange Vorne 4mm x 54mm TiCn	8B 3.0 - Tige d'amortisseur avant en titane 4x54mm (1)	16mm alberino ammortizz., 4mm x 54mm, TiCnFront: 8B 3.0	Vástago amortiguador 16mm delantero 4mm x 54mm TiCn: 8B 3.0
TLR243008	16mm Shock Shaft, 4mm x 59.5mm, TiCn Reart: 8B 3.0	TLR 8IGHT-E 3.0: Kolbenstange hinten 4mm x 59.5mm TiCn	8B 3.0 - Tige d'amortisseur arrière en titane 4x59,5mm (1)	16mm alberino ammortizz., 4mm x 59.5mm, TiCn Reart: 8B 3.0	Vástago amortiguador 16mm trasero 4mm x 59.5mm TiCn: 8B 3.0
TLR243009	Shock Cup (4): 8B 3.0	TLR 8IGHT-E 3.0: Kugelfanne für Dämpfer (4)	8B 3.0 - Coupelle d'amortisseurs (4)	Coppa ammortizz. (4): 8B 3.0	Cazoleta amortiguador (4): 8B 3.0
TLR243013	Shock Guide & Bushing (8): 8B 3.0	TLR 8IGHT-E 3.0: Dämpferschutz und Hülsen (8)	8B 3.0 - Palier et guide d'amortisseur (4)	Guida e boccola ammortizz. (8): 8B 3.0	Casquillos amortiguador (8): 8B 3.0
TLR243014	16mm Shock Piston Washer (8): 8B 3.0	TLR 8IGHT-E 3.0: U-Scheibe für Kolbenplatte (8)	8B 3.0 - Rondelle de piston d'amortisseur	16mm Rondella pistone ammortizz. (8): 8B 3.0	Arandela pistón amortiguador 16mm (8): 8B 3.0
TLR243016	16mm FR Shk Spring, 4.8 Rate, Green(2): 8B 3.0	TLR 8IGHT-E 3.0: Federnsatz Grün 4.8 Vorne (2)	8B 3.0 - Ressort d'amortisseur avant, dureté 4.8, vert (2)	16mm FR Shk molla, 4.8 Rate, verde (2): 8B 3.0	Muelle amortiguador 16mm delantero 4.8 Verde (2): 8B 3.0

Part #	English	Deutsch	Français	Italiano	Español
TLR243019	16mm RR Shk Spring, 3.6 Rate, Silver(2): 8B 3.0	TLR 8IGHT-E 3.0: Federnsatz Silber 3.6 Hinten (2)	8B 3.0 - Ressort d'amortisseur arrière, dureté 3.6, argent (2)	16mm RR Shk molla, 3.6 Rate, argento (2): 8B 3.0	Muelle amortiguador 16mm trasero 3.6 Plata (2): 8B 3.0
TLR243023	Machined Piston 16mm, 5 hole, 1.4, 1.5: 8E 3.0	TLR 8E 3.0: 16mm Kolbenplatte 1.4/1.5	8E 3.0 - Pistons usinés 16mm, trous 1.4 et 1.5	Pistone lavorato 16mm, 5 foro, 1.4, 1.5: 8E 3.0	Pistón 16mm, 5 agujeros, 1.4, 1.5: 8E 3.0
TLR244000	Front Suspension Arm Set: 8B 3.0	TLR 8IGHT-E 3.0: Querlenkersatz Vorne	8B 3.0 - Jeu de bras de suspension avant (2)	Set bracci sospensione anteriore: 8B 3.0	Trapecios delanteros: 8B 3.0
TLR244001	Front Suspension Arm Bushing (4): 8B 3.0	TLR 8IGHT-E 3.0: Buchsen für Querlenker Vorne (4)	8B 3.0 - Jeu de paliers de bras de suspension avant	Boccole bracci sospensione anteriore (4): 8B 3.0	Casquillos trapecios delanteros: 8B 3.0
TLR244002	Front Shock Tower: 8B 3.0	TLR 8IGHT-E 3.0: Dämpferbrücke Vorne	8B 3.0 - Support d'amortisseurs avant	Supporto ammortizzatore anter.: 8B 3.0	Torreta amortiguador delantera: 8B 3.0
TLR244003	Front Spindle Set: 8B 3.0	TLR 8IGHT-E 3.0: Lenkhebel	8B 3.0 - Jeu de fusées avant (2)	Set fuso anter.: 8B 3.0	Manguetas delanteras: 8B 3.0
TLR244004	Front Spindle Carrier, 15 Degree: 8B 3.0	TLR 8IGHT-E 3.0: Lenkhebelträger 15 Grad	8B 3.0 - Etrier porte fusée avant, 15° (2)	Fuso semiasse anter., 15 gradi: 8B 3.0	Portamanguetas delantero 15°: 8B 3.0
TLR244005	Steering Rack Set w/bearings, Short/Long: 8B 3.0	TLR 8IGHT-E 3.0: Anlenkesatz Vorne	8B 3.0 - Barres d'Ackerman, courte/longue avec roulements	Set cremagliera sterzo con cuscinetti, corto/lungo: 8B 3.0	Unión dirección con rodamientos, largo/corto: 8B 3.0
TLR244006	Ackerman Shoulder Screw (2): 8B 3.0	TLR 8IGHT-E 3.0: Ackerman Schraubensatz (2)	8B 3.0 - Vis épaulée de fixation de barre d'Ackerman (2)	Vite Ackerman (2): 8B 3.0	Tornillos Ackerman (2): 8B 3.0
TLR244007	Hing Pins, 4 x 21mm, TiCn (2): 8B 3.0	TLR 8IGHT-E 3.0: Hing Pins 4x21mm TiCn (2)	8B 3.0 - Axes de fusées en titane 4x66mm (2)	Perni cerniera, 4 x 21mm, TiCn (2): 8B 3.0	Pasadores 4x21mm TiCn (2): 8B 3.0
TLR244008	Rear Suspension Arm Set: 8B 3.0	TLR 8IGHT-E 3.0: Querlenkersatz hinten	8B 3.0 - Jeu de bras de suspension arrière (2)	Set bracci sospensione poster.: 8B 3.0	Trapecios traseros: 8B 3.0
TLR244010	Wing Spacer Set, .250 & .500: 8B 3.0	TLR 8IGHT-E 3.0: Distanzhülsen für Spoiler .250/.500	8B 3.0 - Entretoises d'aileron, .250 et .500	Set distanziali alettone, .250 & .500: 8B 3.0	Espaciadores alerón .250/.500: 8B 3.0
TLR244011	Hinge Pins, 4 x 66mm, TiCn (2): 8B 3.0	TLR 8IGHT-E 3.0: Hinge Pins 4x66mm TiCn (2)	8B 3.0 - Axes de suspension en Titane 4x66mm (2)	Perni cerniera, 4 x 66mm, TiCn (2): 8B 3.0	Pasadores 4x66mm TiCn (2): 8B 3.0
TLR244012	Outer Hinge Pins, 3.5mm, TiCn (2): 8B 3.0	TLR 8IGHT-E 3.0: Hinge Pins Aussen 3,5mm (2)	8B 3.0 - Axes de suspension extérieurs, 3.5mm (2)	Perni cerniera esterna, 3.5mm, TiCn (2): 8B 3.0	Pasadores mangueta trasera 3.5mm TiCn (2): 8B 3.0
TLR244014	Front Shock Tower: 8E 3.0	TLR 8E 3.0: Dämpferbrücke vorne	8E 3.0 - Support d'amortisseurs avant	Torre ammort. anteriore: 8E 3.0	Torreta amortiguador delantera: 8E 3.0
TLR244015	Rear Shock Tower: 8E 3.0	TLR 8E 3.0: Dämpferbrücke hinten	8E 3.0 - Support d'amortisseurs arrière	Torre ammort. posteriore: 8E 3.0	Torreta amortiguador trasera: 8E 3.0
TLR245000	Droop Screw (4): 8B 3.0	TLR 8IGHT-E 3.0: Ausfederungsbegrenzer (4)	8B 3.0 - Butée (4)	Vite droop (4): 8B 3.0	Tornillos Droop (4): 8B 3.0
TLR245001	5-40 x 1/4" FH Screws (10)	TLR: Flachkopfschraube 5-40 x 1/4 (10)	Vis FHC 5-40x1/4" (10)	5-40 x 1/4" FH viti (10)	Tornillos con cabeza plana 5-40x1/4" (10)
TLR246000	Aluminum Spacer, 1mm & 2mm (8)	TLR 8IGHT-E 3.0: Aluminium Distanzstück 1mm/2mm (8)	Entretoises en aluminium, 1 et 2mm (8)	Distanziale alluminio, 1mm & 2mm (8)	Espaciadores aluminio 1mm/2mm (8)
TLR249001	Sticker Sheet: 8E 3.0	TLR 8E 3.0: Aufklebersatz	8E 3.0 - Plaque de décoration	Foglio adesivi: 8E 3.0	Adhesivos: 8E 3.0
TLR3538	Covered 17mm Wheel Nuts, Alum, HA: 8B, 8T	TLR 8B/8T 2.0: Radmutter geschlossen 17mm	8B/8T 2.0 -Ecroû de roue fermé 17mm en aluminium (4)	Dadi ruota ricoperti 17mm, allum., HA: 8B, 8T	Tuerca rueda ciega 17mm aluminio anodizado duro: 8B/8T
TLR44000	1/8 Buggy Dish Wheel, Yellow (4): 8B 3.0	TLR 8IGHT-E 3.0: Felgensatz 1:8 Gelb (4)	8B 3.0 - Jantes pleines Buggy, jaunes (4)	1/8 Buggy copri ruota, giallo (4): 8B 3.0	Llanta amarilla (4): 8B 3.0
TLR44001	1/8 Buggy Dish Wheel, White (4): 8B 3.0	TLR 8IGHT-E 3.0: Felgensatz 1:8 Weiß (4)	8B 3.0 - Jantes pleines Buggy, blanches (4)	1/8 Buggy copri ruota, bianco (4): 8B 3.0	Llanta blanca (4): 8B 3.0
TLR8200	Body Clips (12)	TLR Bodyclips (12)	Clips à carrosserie (12)	Clips carrozzeria (12)	Clips carrocería (12)

OPTIONAL PARTS / DIVERSE TEILE / PIÈCES OPTIONNELLES / PARTI OPZIONALI / OPCIONES

Part #	English	Deutsch	Français	Italiano	Español
LOSA1721	Arm Guards: 8B	Losi 8B: Schmutzabweiser	8B - Protections de triangles	Protezione bracci: 8B	Protectores trapecios: 8B
LOSA1732	Rear Hub Carriers, Alum: 8B, 8T, 2.0	Losi 8B/ 8T 2.0: Radträger Hinten Aluminium	8B/8T 2.0 - Fusées arrières en aluminium	Mozzi posteriori, alluminio: 8B, 8T, 2.0	Mangueta trasera aluminio: 8B, 8T, 2.0
LOSA3517	Center Diff 47T Spur Gear	Losi 8B,8T: Hauptzahnrad 47 Z	8B/8T - Couronne de diff central 47T	Corona 47T diff. centrale	Corona diferencial central 47T
LOSA3526	Center Front CV Driveshaft Assembly	Losi 8B: Antriebswelle Mitte/Vorne inkl. Zubehör	Cardan central avant CVD complet	Gruppo trasmissione centro anteriore CV	Cardan CV central delantero
LOSA3532	Wheel Hexes, +2mm Wider (4):8B, 8T	Losi 8B/8T: Radmitnehmer (4) + 2mm breiter	8B/8T - Hexagones de roues largeur +2mm (4)	Esagoni ruota, +2mm più largo (4):8B, 8T	Hexágonos rueda +2mm (4): 8B/8T
LOSA3536	Center Rear CV Driveshaft Assembly	Losi 8B 2.0: Antriebswelle Mitte/Hinten inkl. Zubehör	Cardan central arrière CVD complet	Gruppo trasmissione centro posteriore CV	Cardan CV central trasero
LOSA3551	Center Diff 46T Spur Gear: 8B, 8T	Losi 8B/8T: Hauptzahnrad 46Z	8B/8T - Couronne de diff central 46T	Corona 46T diff. centrale: 8B, 8T	Corona diferencial central 46T: 8B/8T
LOSA3561	44T Spur Gear, Plastic	Losi 44T Hauptzahnrad/ Kunststoff	Couronne 44T en plastique	Corona 44T, plastica	Corona principal 44T, plástico
LOSA3562	45T Spur Gear, Plastic	Losi 45T Hauptzahnrad/ Kunststoff	Couronne 45T en plastique	Corona 44T, plastica	Corona principal 45T, plástico
LOSA3570	1.0 Module Pitch Pinion Gear, 8E, 10T	Ritzel 10Z Modul 1 : 8E 10T	8E - Pignon 10T, module 1	Pignone modulo passo 1.0, 8E, 10T	Piñón motor módulo 1.0, 8E, 10T
LOSA3571	1.0 Module Pitch Pinion Gear, 8E, 11T	Ritzel 11Z Modul 1 : 8E	8E - Pignon 11T, module 1	Pignone modulo passo 1.0, 8E, 11T	Piñón motor módulo 1.0, 8E, 11T
LOSA3572	1.0 Module Pitch Pinion Gear, 8E, 12T	Ritzel 12Z Modul 1 : 8E	8E - Pignon 12T, module 1	Pignone modulo passo 1.0, 8E, 12T	Piñón motor módulo 1.0, 8E, 12T
LOSA3573	1.0 Module Pitch Pinion Gear, 8E, 13T	Ritzel 13Z Modul 1 : 8E	8E - Pignon 13T, module 1	Pignone modulo passo 1.0, 8E, 13T	Piñón motor módulo 1.0, 8E, 13T
LOSA3574	1.0 Module Pitch Pinion Gear, 8E, 14T	Ritzel 14Z Modul 1 : 8E	8E - Pignon 14T, module 1	Pignone modulo passo 1.0, 8E, 14T	Piñón motor módulo 1.0, 8E, 14T
LOSA3575	1.0 Module Pitch Pinion Gear, 8E, 15T	Ritzel 15Z Modul 1 : 8E	8E - Pignon 15T, module 1	Pignone modulo passo 1.0, 8E, 15T	Piñón motor módulo 1.0, 8E, 15T
LOSA3576	1.0 Module Pitch Pinion Gear, 8E, 16T	Ritzel 16Z Modul 1 : 8E	8E - Pignon 16T, module 1	Pignone modulo passo 1.0, 8E, 16T	Piñón motor módulo 1.0, 8E, 16T
LOSA3577	1.0 Module Pitch Pinion Gear, 8E, 17T	Ritzel 17Z Modul 1 : 8E	8E - Pignon 17T, module 1	Pignone modulo passo 1.0, 8E, 17T	Piñón motor módulo 1.0, 8E, 17T
LOSA3578	1.0 Module Pitch Pinion Gear, 8E, 18T	Ritzel 18Z Modul 1 : 8E	8E - Pignon 18T, module 1	Pignone modulo passo 1.0, 8E, 18T	Piñón motor módulo 1.0, 8E, 18T
LOSA3587	Front Center Universal Drive-shaft: 8 2.0	Losi 8 2.0: Antriebswelle vorne	8B 2.0 - Cardan central avant	Trasmissione universale centro anteriore CV: 8 2.0	Cardan central delantero Universal: 8 2.0
LOSA3600	Front SmartDiff: 8B 2.0	Losi 8B 2.0: Front SmartDiff.	8B 2.0 - Smartdiff avant	Differenziale smart anter.: 8B 2.0	Diferencial delantero "Smart": 8B 2.0
LOSA3601	Center SmartDiff: 8B 2.0	Losi 8B 2.0: SmartDiff Mitte	8B 2.0 - Smartdiff central	Differenziale smart centrale: 8B 2.0	Diferencial central "Smart": 8B 2.0
LOSA4440	Front Top Brace, Aluminum: 8B, 8T, 2.0	Losi 8B,8T 2.0: Chassishalter vorne Aluminium	8B/8T - Renfort de châssis supérieur avant en aluminium	Supporto anteriore superiore allum.: 8B, 8T, 2.0	Chasis superior delantero de aluminio: 8B, 8T, 2.0
LOSA4444	Split Center Diff Mount, Aluminum: 8B, 8T, 2.0	TLR 8B/8T 2.0: teilbarer Diffblock, Alu	8B/8T 2.0 - Support de différentiel central en aluminium	Supporto split diff. centrale, alluminio: 8B, 8T, 2.0	Bancada central desmontable aluminio: 8B, 8T, 2.0
LOSA6140	8IGHT-E Screw/Nut Asst Box	Losi 8IGHT-E: Schrauben und Muttern im Sortimentskasten	8B - Boite d'assortiment de vis et d'écrous	8IGHT-E vite/dado Asst Box	Caja de tornillería 8IGHT-E
LOSA6541	Turnbuckles 5mm x 68mm w/ ends: 8	Losi 8B: Gewindestift L/R 5mmx68mm	8B - Bielle 5x68mm avec chapes (2)	Tenditori 5mm x 68mm c/ terminali: 8	Tirantes 5mm x 68mm con rótulas:8
LOSA6929	8IGHT-E/T Bearing Box w/ Bearings	Losi 8B, 8T: Kugellagersatz im Sortimentskasten	8B/8T - Boite à roulements avec roulements	8IGHT-E/T Scatola cuscinetti c/cuscinetti	Caja de rodamientos 8IGHT-E/T
LOSA8130	8IGHT-E Wing, Black	Losi 8B,8T: Spoiler, Schwarz	8B/8T - Aileron noir	8IGHT-E alettone, nero	Alerón negro 8IGHT-E
LOSA8131	8IGHT-E Wing, White	Losi 8B, 8T: Spoiler, Weiß	8B/8T - Aileron blanc	8IGHT-E alettone, bianco	Alerón blanco 8IGHT-E
LOSA8132	1/8 Universal Wing Kit, Yellow	Losi: 1/8 Universal Spoiler, Gelb	Aileron 1/8 universel, jaune	1/8 Kit alettone universale, bianco	Alerón universal amarillo 1/8

Part #	English	Deutsch	Français	Italiano	Español
LOSA99030	Servo Arm, Aluminum: JR	Losi Servo Arm/Aluminium: JR	Bras de servo en aluminium JR	Squadretta servo, alluminio: JR	Brazo de Servo de aluminio: JR
LOSA99031	Servo Arm, Aluminum: Air	Losi Servo Arm/Aluminium: KO/AIR	Bras de servo en aluminium KO/Airtronics	Squadretta servo, alluminio: Air	Brazo de Servo de aluminio: Air
LOSA99032	Servo Arm, Aluminum: Fut	Losi Servo Arm/Aluminium: FUT	Bras de servo en aluminium Futaba	Squadretta servo, alluminio: Fut	Brazo de Servo de aluminio: Fut
LOSA99033	Servo Arm, Aluminum: Hitec	Losi Servo Arm/Aluminium: Hitec	Bras de servo en aluminium Hitec	Squadretta servo, alluminio: Hitec	Brazo de Servo de aluminio: Hitec
LOSA99172	Camber Gauge	Losi Sturzlehre	Jauge de carrossage	Misuratore camber	Medidor de caídas
LOSA99173	Ride Height Gauge	Losi Höhenmesser	Cale de garde au sol	Misuratore altezza da terra	Medidor de altura de chasis
LOSA99174	Car Stand: 8B, 8T	Losi 8 /T: Fahrzeugständer	8B/8T - Support de stand	Supporto auto: 8B, 8T	Stand mantenimiento: 8B, 8T
LOS83528	Heavy Duty Diff Case	Losi 8, 8T, LST2: Heavy-Duty Differenzial Gehäuse	8B/8T/LST2 - Corps de différentiel renforcé	Scatola diff. alta resistenza	Caja de diferencial reforzada
LOS84604	17mm Wheel Wrench	Losi 8B/ 8T: 17mm Radschlüssel Alu	Clé de roue 17mm	17mm chiave ruote	Llave de rueda 17mm
TLR243010	16mm Shock Piston, 1.2mm (2): 8B 3.0	TLR 8IGHT-E 3.0: 16mm Kolbenplatte 1.2mm (2)	8B 3.0 - Piston d'amortisseur 1.2mm, diam 16mm (2)	16mm Pistone ammortizz., 1.2mm (2): 8B 3.0	Pistón amortiguador 16mm 1.2mm (2): 8B 3.0
TLR243015	16mm Front Shock Spring, 4.6 Rate, Silver (2): 8B 3.0	TLR 8IGHT-E 3.0: Federnsatz Silber 4.6 Vorne (2)	8B 3.0 - Ressort d'amortisseurs avant 16mm, dureté 4.6, argent (2)	16mm Molla ammortizz. anteriore, 4.6 Rate, argento (2): 8B 3.0	Muelle amortiguador delantero 16mm 4.6 Plata (2): 8B 3.0
TLR243017	16mm Front Shock Spring, 5.0 Rate, Black (2): 8B 3.0	TLR 8IGHT-E 3.0: Federnsatz Schwarz 5.0 Vorne (2)	8B 3.0 - Ressort d'amortisseurs avant 16mm, dureté 5.0, noir (2)	16mm Molla ammortizz. anteriore, 5.0 Rate, nera (2): 8B 3.0	Muelle amortiguador delantero 16mm 5.0 Negro (2): 8B 3.0
TLR243018	16mm Rear Shock Spring, 3.4 Rate, Red (2): 8B 3.0	TLR 8IGHT-E 3.0: Federnsatz Rot 3.4 Hinten (2)	8B 3.0 - Ressort d'amortisseurs arrière 16mm, dureté 3.4, rouge (2)	16mm Molla ammortizz. posteriore, 3.4 Rate, rossa (2): 8B 3.0	Muelle amortiguador trasero 16mm 3.4 Rojo (2): 8B 3.0
TLR243020	16mm Rear Shock Spring, 3.8 Rate, Green (2): 8B 3.0	TLR 8IGHT-E 3.0: Federnsatz Grün 3.8 Hinten (2)	8B 3.0 - Ressort d'amortisseurs arrière 16mm, dureté 3.8, vert (2)	16mm Molla ammortizz. posteriore, 3.8 Rate, verde (2): 8B 3.0	Muelle amortiguador trasero 16mm 3.8 Verde (2): 8B 3.0
TLR341000	Brass Weight System: 8-E 3.0	Messing Gewichtssystem 8E 3.0	8E 3.0 - Masses d'équilibrage	Sistema pesi in ottone: 8-E 3.0	Sistema de Pesos de Latón: 8E 3.0
TLR342000	Rear Dogbone (2): 8B 3.0	TLR 8IGHT-E 3.0: Antriebsknochen Hinten (2)	8B 3.0 - Tige de cardan arrière (2)	Giunto cardanico posteriore (2): 8B 3.0	Palier trasero (2): 8B 3.0
TLR342001	Rear Dogbone Axle (2): 8B 3.0	TLR 8IGHT-E 3.0: Radachse Hinten (2)	8B 3.0 - Axe de roue arrière (2)	Asse giunto cardanico posteriore (2): 8B 3.0	Eje rueda palier trasero (2): 8B 3.0
TLR342002	Rear Dogbone & Axle Set: 8B 3.0	TLR 8IGHT-E 3.0: Radachse Hinten (2)	8B 3.0 - Tige + axe de cardan arrière (2)	Set giunto cardanico posteriore e asse: 8B 3.0	Palier y eje rueda trasero: 8B 3.0
TLR3500	F/R CV Driveshaft Axles, Aluminum (4) 8B, 8T, 2.0	TLR8B,8T 2.0: Radachsen Vorne/Hinten Aluminium	8B/8T 2.0 - Axes de roues en aluminium (4)	F/R CV Asse trasmissione, alluminio (4) 8B, 8T, 2.0	Eje rueda cardan CV del/tras. aluminio (4): 8B, 8T, 2.0
TLR3501	Differential Shaft Set, Aluminium (6): 8B, 8T, 2.0	TLR 8B, 8T 2.0: Diff Achskreuz, Aluminium	8B/8T 2.0 - Jeu de goupilles de cardan en aluminium (6)	Set albero differenziale, alluminio (6): 8B, 8T, 2.0	Pasadores diferencial aluminio (6): 8B, 8T, 2.0
TLR3510	Front Overdrive Gear Set: 8B	TLR 8B: Overdrive Antriebsset Vorne	8B - Prépondérance avant (couronne + pignon d'attaque)	Set ingranaggio overdrive anteriore: 8B	Corona/piñón delantero Overdrive: 8B
TLR3538B	Covered 17mm Wheel Nuts, Alum, Blue: 8B,8T	TLR 8B/8T 2.0: Radmutter geschlossen 17mm	8B/8T 2.0 - Ecrou de roue fermé 17mm en aluminium anodisé bleu (4)	Dadi ruote 17mm rivestiti, alluminio, blu: 8B,8T	Tuerca rueda ciega 17mm aluminio azul: 8B, 8T
TLR3538BL	Covered 17mm Wheel Nuts, Alum, Black: 8B,8T	TLR 8B/8T 2.0: Radmutter geschlossen 17mm Schwarz	8B/8T 2.0 - Ecrou de roue fermé 17mm en aluminium anodisé noir (4)	Dadi ruote 17mm rivestiti, alluminio, neri: 8B,8T	Tuerca rueda ciega 17mm aluminio negro: 8B, 8T
TLR3538R	Covered 17mm Wheel Nuts, Alum, Red: 8B,8T	TLR 8B/8T 2.0: Radmutter geschlossen 17mm Rot	8B/8T 2.0 - Ecrou de roue fermé 17mm en aluminium anodisé rouge (4)	Dadi ruote 17mm rivestiti, alluminio, rossi: 8B,8T	Tuerca rueda ciega 17mm aluminio rojo: 8B, 8T
TLR5277	Silicone Diff Fluid, 1000CS	TLR Silikon Diff Öl, 1.000CS	Graisse silicone pour différentiel, 1000CS	Fluido silicone diff, 1000CS	Silicona diferencial 1000CS
TLR5278	Silicone Diff Fluid, 2000CS	TLR Silikon Diff Öl ,2.000CS	Graisse silicone pour différentiel, 2000CS	Fluido silicone diff, 2000CS	Silicona diferencial 2000CS

Part #	English	Deutsch	Français	Italiano	Español
TLR5279	Silicone Diff Fluid, 3000CS	TLR Silikon Diff Öl ,3000CS	Graisse silicone pour différentiel, 3000CS	Fluido silicone diff, 3000CS	Silicona diferencial 3000CS
TLR5280	Silicone Diff Fluid, 5000CS	TLR Silikon Diff Öl ,5.000CS	Graisse silicone pour différentiel, 5000CS	Fluido silicone diff, 5000CS	Silicona diferencial 5000CS
TLR5281	Silicone Diff Fluid, 7000CS	TLR Silikon Diff Öl ,7.000CS	Graisse silicone pour différentiel, 7000CS	Fluido silicone diff, 7000CS	Silicona diferencial 7000CS
TLR5282	Silicone Diff Fluid, 10,000CS	TLR Silikon Diff Öl ,10.000CS	Graisse silicone pour différentiel, 10000CS	Fluido silicone diff, 10,000CS	Silicona diferencial 10000CS
TLR5283	Silicone Diff Fluid, 15,000CS	TLR Silikon Diff Öl ,15.000CS	Graisse silicone pour différentiel, 15000CS	Fluido silicone diff, 15,000CS	Silicona diferencial 15000CS
TLR5284	Silicone Diff Fluid, 20,000CS	TLR Silikon Diff Öl ,20.000CS	Graisse silicone pour différentiel, 20000CS	Fluido silicone diff, 20,000CS	Silicona diferencial 20000CS
TLR5285	Silicone Diff Fluid, 50,000CS	TLR Silikon Diff Öl ,20.000CS	Graisse silicone pour différentiel, 50000CS	Fluido silicone diff, 50,000CS	Silicona diferencial 50000CS
TLR5288	Silicone Diff Fluid, 125,000CS	TLR Silikon Diff Öl ,125.000CS	Graisse silicone pour différentiel, 125000CS	Fluido silicone diff, 125,000CS	Silicona diferencial 125000CS
TLR74000	Silicone Shock Oil, 15wt, 2oz	Losi Silikonstoßdämpferöl, 15wt, 2oz	Huile silicone d'amortisseur, 15wt, 60 ml	Olio silicone ammortizz., 15wt, 2oz	Aceite silicona amortiguador 15wt, 2oz.
TLR74001	Silicone Shock Oil, 17.5wt, 2oz	Losi Silikonstoßdämpferöl, 17,5wt, 2oz	Huile silicone d'amortisseur, 17.5wt, 60 ml	Olio silicone ammortizz., 17.5wt, 2oz	Aceite silicona amortiguador 17.5wt, 2oz.
TLR74002	Silicone Shock Oil, 20wt, 2oz	Losi Silikonstoßdämpferöl, 20wt, 2oz	Huile silicone d'amortisseur, 20wt, 60 ml	Olio silicone ammortizz., 20wt, 2oz	Aceite silicona amortiguador 20wt, 2oz.
TLR74003	Silicone Shock Oil, 22.5wt, 2oz	Losi Silikonstoßdämpferöl, 22,5wt, 2oz	Huile silicone d'amortisseur, 22.5wt, 60 ml	Olio silicone ammortizz., 22.5wt, 2oz	Aceite silicona amortiguador 22.5wt, 2oz.
TLR74004	Silicone Shock Oil, 25wt, 2oz	Losi Silikonstoßdämpferöl, 25wt, 2oz	Huile silicone d'amortisseur, 25wt, 60 ml	Olio silicone ammortizz., 25wt, 2oz	Aceite silicona amortiguador 25wt, 2oz.
TLR74005	Silicone Shock Oil, 27.5wt, 2oz	Losi Silikonstoßdämpferöl, 27,5wt, 2oz	Huile silicone d'amortisseur, 27.5wt, 60 ml	Olio silicone ammortizz., 27.5wt, 2oz	Aceite silicona amortiguador 27.5wt, 2oz.
TLR74006	Silicone Shock Oil, 30wt, 2oz	Losi Silikonstoßdämpferöl, 30wt, 2oz	Huile silicone d'amortisseur, 30wt, 60 ml	Olio silicone ammortizz., 30wt, 2oz	Aceite silicona amortiguador 30wt, 2oz.
TLR74007	Silicone Shock Oil, 32.5wt, 2oz	Losi Silikonstoßdämpferöl, 32wt, 2oz	Huile silicone d'amortisseur, 32.5wt, 60 ml	Olio silicone ammortizz., 32.5wt, 2oz	Aceite silicona amortiguador 32.5wt, 2oz.
TLR74008	Silicone Shock Oil, 35wt, 2oz	Losi Silikonstoßdämpferöl, 35wt, 2oz	Huile silicone d'amortisseur, 35wt, 60 ml	Olio silicone ammortizz., 35wt, 2oz	Aceite silicona amortiguador 35wt, 2oz.
TLR74009	Silicone Shock Oil, 37.5wt, 2oz	Losi Silikonstoßdämpferöl, 37,5t, 2oz	Huile silicone d'amortisseur, 37.5wt, 60 ml	Olio silicone ammortizz., 37.5wt, 2oz	Aceite silicona amortiguador 37.5wt, 2oz.
TLR74010	Silicone Shock Oil, 40wt, 2oz	Losi Silikonstoßdämpferöl, 40wt, 2oz	Huile silicone d'amortisseur, 40wt, 60 ml	Olio silicone ammortizz., 40wt, 2oz	Aceite silicona amortiguador 40wt, 2oz.
TLR74011	Silicone Shock Oil, 42.5wt, 2oz	Losi Silikonstoßdämpferöl, 42,5wt, 2oz	Huile silicone d'amortisseur, 42.5wt, 60 ml	Olio silicone ammortizz., 42.5wt, 2oz	Aceite silicona amortiguador 42.5wt, 2oz.
TLR74012	Silicone Shock Oil, 45wt, 2oz	Losi Silikonstoßdämpferöl, 45wt, 2oz	Huile silicone d'amortisseur, 45wt, 60 ml	Olio silicone ammortizz., 45wt, 2oz	Aceite silicona amortiguador 45wt, 2oz.
TLR74013	Silicone Shock Oil, 50wt, 2oz	Losi Silikonstoßdämpferöl, 50wt, 2oz	Huile silicone d'amortisseur, 50wt, 60 ml	Olio silicone ammortizz., 50wt, 2oz	Aceite silicona amortiguador 50wt, 2oz.
TLR76000	Tire Glue, Standard	TLR Reifenkleber Standart	Colle à pneus standard	Colla per gomme, standard	Pegamento ruedas
TLR76001	Tire Glue, Thin	TLR Reifenkleber Dünn	Colle à pneus fine	Colla per gomme, liquida	Pegamento ruedas ligero
TLR76002	Off-road Tire Gluing Kit	TLR Offroad Reifenklebeset	Kit de collage de pneus TT	Kit incollaggio gomme fuoristrada	Kit pegado ruedas Off-road
TLR76400	TLR-Lok, Threadlock, Blue	TLR Lok Schraubensicherung-slack Blau	Frein filet bleu TLR-Lok	TLR-Lok, Frenafiletto, blu	Fijatornillos azul TLR-Lok
TLR99101	Shock Shaft Pliers	TLR Zange für Dämpferkolbenstange	Pince pour tige d'amortisseur	Pinza albero ammortizz.	Alicate vástagos amortiguador
TLR99102	Turnbuckle Wrench	TLR Stellschlüssel für Gewindestift, 3.5, 4, 5mm	Clé à biellettes	Chiave tenditori	Llave tirantes



TLRACING.COM

TLR04002

ENGINEERED
IN CALIFORNIA

Created 5/13 40340

© 2013 Horizon Hobby, Inc. Losi, Team Losi, TLR, TLR-Lok and 8IGHT-E are trademarks or registered trademarks of Horizon Hobby, Inc. All other trademarks, service marks or logos are property of their respective owners.

Horizon Hobby, Inc.
4105 Fieldstone Road,
Champaign, IL 61822 USA

Horizon Hobby Limited
Units 1-4 Ployters Rd
Staple Tye, Harlow, Essex
CM18 7NS, United Kingdom

Horizon Hobby GmbH
Christian-Junge-Straße 1
25337 Elmshorn, Germany

Horizon Hobby – China
Room 506, No. 97 Changshou Rd
Shanghai, China 200060